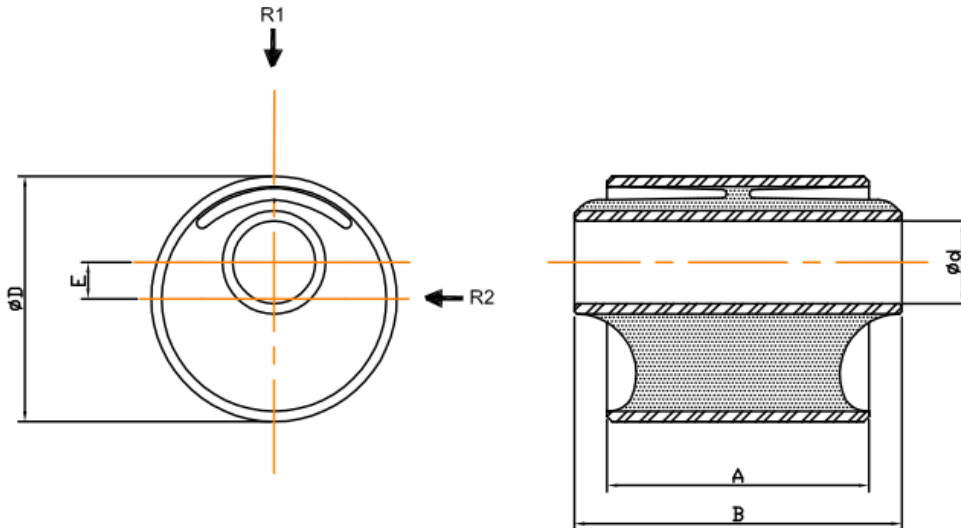


Eccentric Bush



PART NO	Dimensions in mm					Radial Properties			
	d	D	A	B	E	Direction R1		Direction R2	
						Stiffn (N/mm)	Max Defl.(mm)	Max Load(Kg)	Stiffn (N/mm)
ECC1270	16	47.6	50.8	63.5	7.1	675	2	135	1600
ECC2174	24	75.3	20.8	70	10.5	910	3.5	318	1200
ECC1165	25.4	88.9	66.7	79.4	14.3	475	3.8	180	640
ECC1165	25.4	88.9	66.7	79.4	14.3	900	3.8	340	990
ECC1355	43.7	101.6	63.5	72.4	9.5	1300	3.5	482	2200

DATA SHEET ECC 2012. Max compression load in Kg deflection in mm.

This information is for guidance only. Customers are recommended to contact us for further technical information on products and applications. We reserve the right to alter specifications or withdraw products without notice.