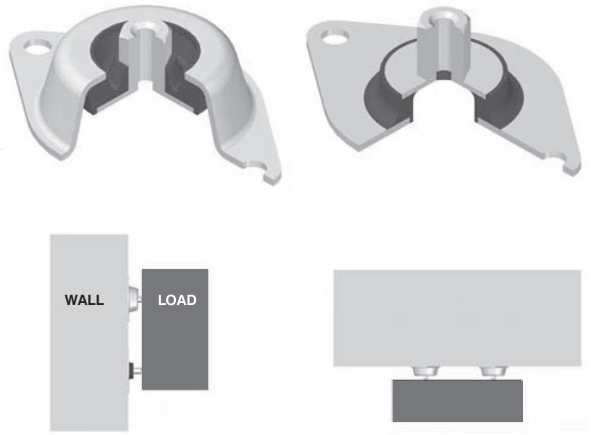


# Suspended Mount

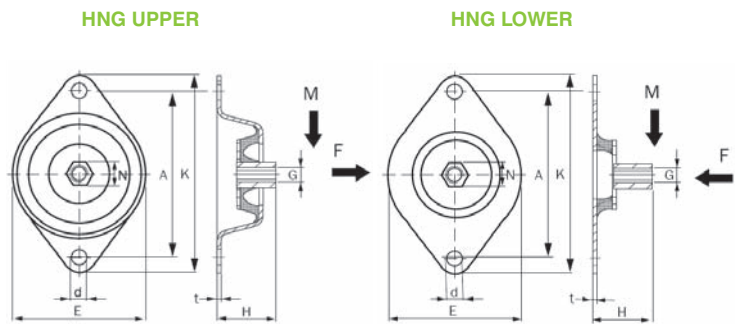
**Suspended Mounts** are ideal for hanging or suspending equipment from walls, vertical surfaces, ceilings & supporting structures. The HNG Upper is used to accommodate Tensile Mounted Loads at the top fixing of the equipment, whilst the HNG Lower is used to accommodate the compressive loads at the bottom of the equipment.

**Applications include:-** instrument cabinets, control panels, HVAC equipment etc



TYPE	E	K	A	H	d	N	t	G
HNG-upper	75	114	96	33	9	15	2.5	M8
HNG-lower	75	114	96	33	9	15	2.5	M8

TYPE	M-Max (KG)		F-Max (KG)	
	40° Sh	60° Sh	40° Sh	60° Sh
HNG-upper	14	25	30	70
HNG-lower	14	25	30	70



# Cup Shock Mountings

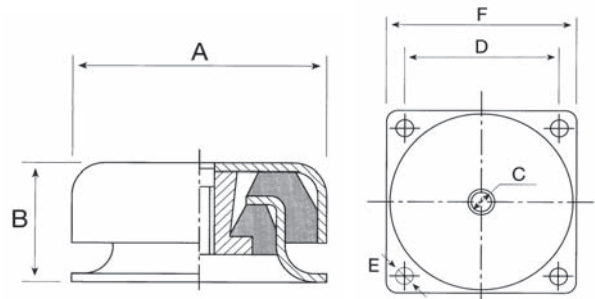
**Cup shock mountings** are a relatively stiff product, ideal for applications where high frequency vibrations are predominant. The product is failsafe and ideal for both mobile & static applications. The outer metal cap offers protection from contaminants such as Oil or Fuel. The design of the mounting also allows the product to be used in tension, although maximum loads should be derated.

**Applications include:-** Military Equipment, Electronic Equipment, HVAC, Compressors, and Motors



PART	A	B	C	D	E	F
CSM1000	50	28	M8	50	6	60
CSM2000	76	38	M10	63.5	6.7	76

PART	45 SHORE		60 SHORE		75 SHORE	
	Kg	mm	Kg	mm	Kg	mm
CSM1000	80	2.0	100	1.5	150	1.5
CSM2000	180	2.5	240	2.5	300	2.0



DATA SHEET SM/CSM 2011. Max compression load in Kg deflection in mm.

This information is for guidance only. Customers are recommended to contact us for further technical information on products and applications. We reserve the right to alter specifications or withdraw products without notice.