

# UU Shear Mounting

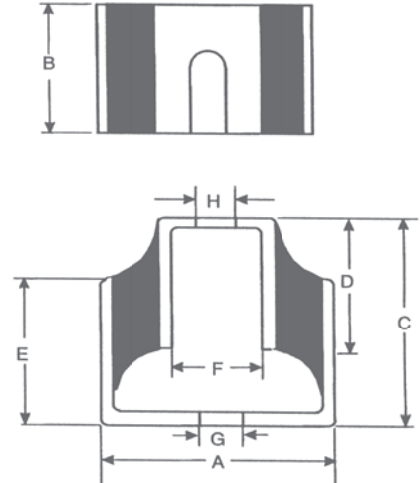


**UU Shear Mountings** are designed to load the rubber in shear and thereby provide a soft vertical spring rate.

**Applications** include:- small generators, fans & low speed machines. They are equally suitable for the protection of instruments & apparatus from surrounding shock vibration.

| PART NUMBER | A mm | B mm | C mm | D mm | E mm | F mm | G & H mm | Kg  | mm  |
|-------------|------|------|------|------|------|------|----------|-----|-----|
| UU1492-40   | 61   | 20   | 43   | 25   | 27   | 20   | 6.6      | 14  | 8.0 |
| UU1492-50   |      |      |      |      |      |      |          | 17  | 7.0 |
| UU1482-40   | 60   | 50   | 43   | 19   | 30   | 17   | 10       | 43  | 8.0 |
| UU1482-50   |      |      |      |      |      |      |          | 50  | 7.5 |
| UU1481-40   | 70   | 25   | 62   | 37   | 43   | 25   | 10       | 17  | 8.0 |
| UU1481-50   |      |      |      |      |      |      |          | 25  | 7.0 |
| UU1481-60   |      |      |      |      |      |      |          | 28  | 4.5 |
| UU1480-40   | 80   | 50   | 78   | 50   | 55   | 30   | 13       | 72  | 8.0 |
| UU1480-50   |      |      |      |      |      |      |          | 92  | 7.0 |
| UU1480-60   |      |      |      |      |      |      |          | 95  | 4.5 |
| UU1479-40   | 86   | 64   | 108  | 76   | 82   | 38   | 16       | 152 | 8.0 |
| UU1479-50   |      |      |      |      |      |      |          | 170 | 6.0 |
| UU1479-60   |      |      |      |      |      |      |          | 205 | 4.0 |

Max compression load in Kg deflection in mm.



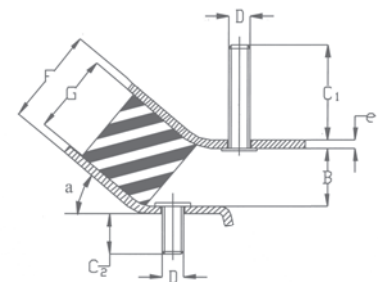
# Angle Mounting

**Angle Mountings** are used in pairs - diametrically opposite to give a low roller frequency and hence improved isolation whilst maintaining good stability of the equipment.

**Applications** include:- Small portable generator sets & pumps.

| PART NUMBER | A  | B  | D  | C <sub>1</sub> | C <sub>2</sub> | e | a   | F  | G    |
|-------------|----|----|----|----------------|----------------|---|-----|----|------|
| AM47        | 47 | 17 | M8 | 35             | 15             | 3 | 40° | 29 | 23.0 |
| AM54        | 54 | 19 | M8 | 35             | 15             | 3 | 40° | 37 | 31.0 |

| PART NUMBER | 45 SHORE |               | 60 SHORE |               |
|-------------|----------|---------------|----------|---------------|
|             | LOAD Kg  | Deflection mm | LOAD Kg  | Deflection mm |
| AM47        | 5        | 5             | 15       | 5             |
| AM54        | 40       | 9             | 90       | 9             |



DATA SHEET UUSM/AM 2011. Max compression load in Kg deflection in mm.

This information is for guidance only. Customers are recommended to contact us for further technical information on products and applications. We reserve the right to alter specifications or withdraw products without notice.