

Small Captive Transit Mounts

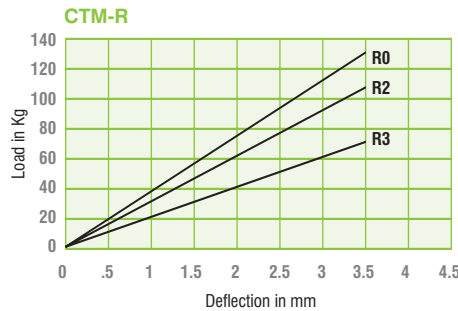
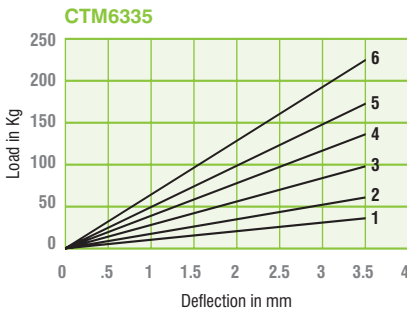
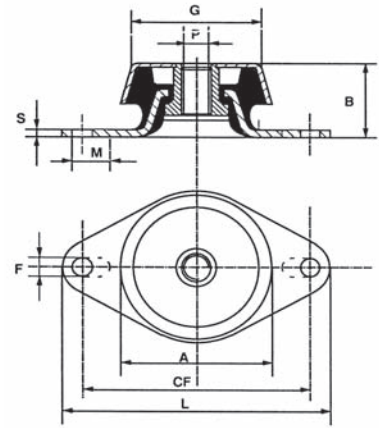
Captive Transit Mounts are designed with an integral overload stop which controls the movement of equipment during transit and provides a fully failsafe arrangement, suitable for both Mobile & Static Applications.

A universal mounting, popular in a wide range of applications. Cost Effective, High Performing & Easy to Install. The rubber is used in shear compression providing optimum performance and offers vibration reduction of upto 95%. The metal top cap provides protection from contaminants such as Oil & Fuel. Load Rating 20Kg to 4000Kg.

Applications include:- Diesel Engines, Generator Sets, Pumps, Compressors, Vehicles, and Marine Engines, Construction Plant.



PART	A	B	P	F x M	CF	G	L	S	REF.
CTM6335	63	35	M10 / M12	9 x 14	76 - 90	50	110	2.5	
CTM-R	64	34	M12	9.5	76	47	93	2.5	



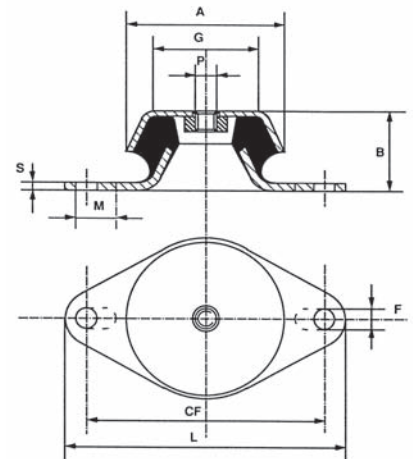
Machine Support

Machine Supports are an ideal product for static machinery. Low Cost and easy to install. Providing isolation levels of upto 85%

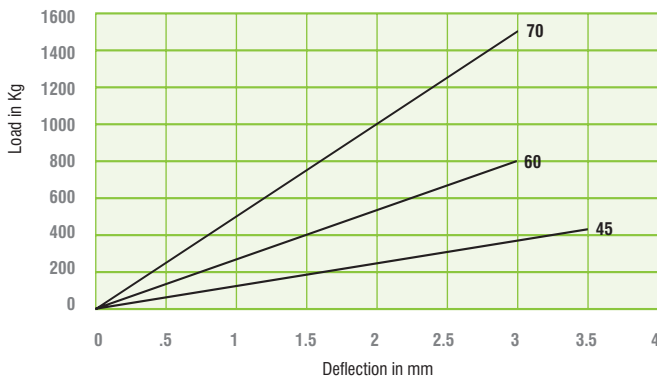
Applications include:- Diesel Engines, Static Generating Sets, and Heavy Industrial Machinery.



PART	A	B	P	F (x M)	CF	G	L	S
MS1085016	108	50	M16	16.5	160	83	190	5



WITHOUT STOPS



DATA SHEET SCTM/MS 2011. Max compression load in Kg deflection in mm.

This information is for guidance only. Customers are recommended to contact us for further technical information on products and applications. We reserve the right to alter specifications or withdraw products without notice.