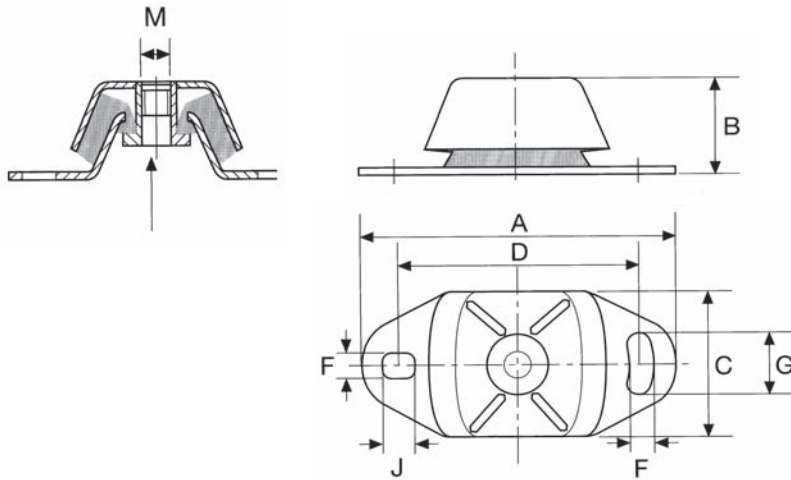


Silent Marine

Silent Marine Mountings were originally designed for use with marine propulsion engines and therefore are failsafe and can accommodate thrust. Nowadays Silent Marine is popular throughout a wide range of industries. Offering a High Performance, Easy Installation & cost effective solution to reducing vibration. The mountings provides different stiffness' in each direction, which provides optimum performance, particularly for I.C. Engines

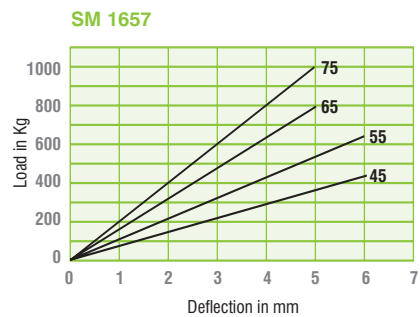
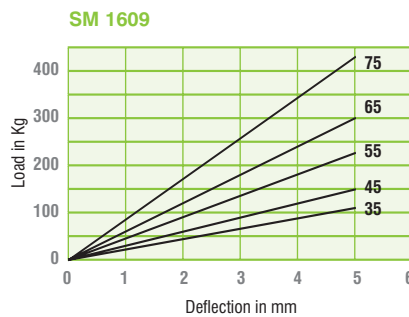
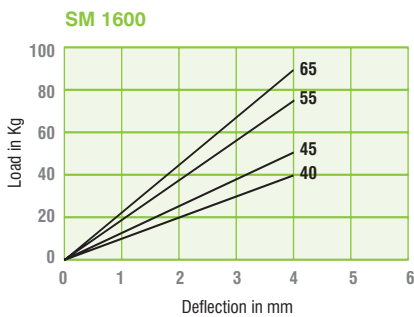
Products can also be supplied with Lloyds Approval.

Applications include:- Marine Propulsion engines, Generating Sets, Diesel Engines, Vehicles, Pumps, and Compressors.



HEIGHT ADJUSTER STUDS AVAILABLE - SEE DATA SHEET HA2011

PART	A	B	C	D	F	M	G	J
SM1600	120	38.5	60	100	11	M12	14	11
SM1609	183	50	75	140	13	M16	30	20
SM1657	228	74	114	182	18	M20	35	25



DATA SHEET SM 2011. Max compression load in Kg deflection in mm.

This information is for guidance only. Customers are recommended to contact us for further technical information on products and applications. We reserve the right to alter specifications or withdraw products without notice.