

Flanged Mounting

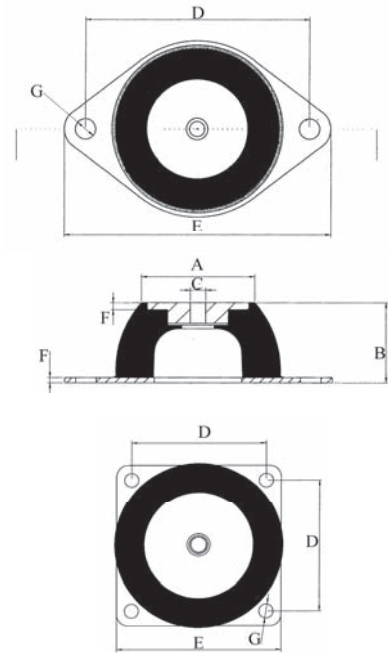
Flanged Mountings give high levels of deflection, providing excellent levels of vibration reduction and shock absorption both in vertical & horizontal planes. Low cost & easy to install. Stainless Steel metals and Oil Resistant / High Temperature rubbers available on request.

Applications include:- Pumps, Fans, Compressors, Vibratory Screens, and Processing Equipment etc.



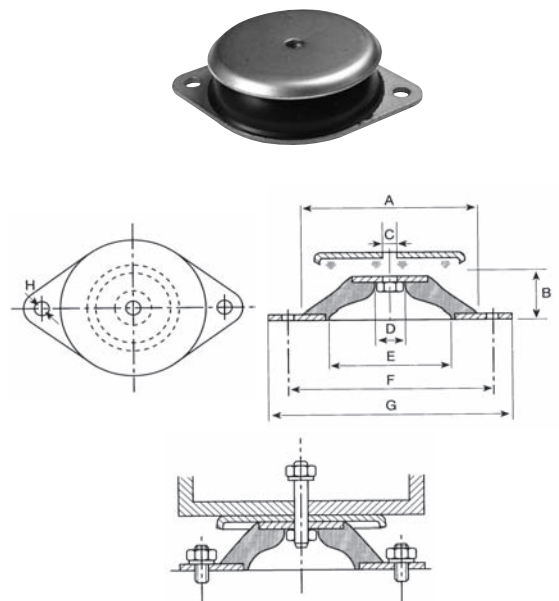
PART NUMBER	Fixing holes	A mm	B mm	C	D mm	E mm	F mm	G mm
FM1566	2	26.5	11.6	M6	50	60	1.74	6
FM209	2	31	21.5	M8/M10	60	77	3	9.2
FM007	2	18	20	M6	50	64	2	7
FM25	2	33	25	M8/M10	66-73	85	2	8 x 12
FM50	2	45	35	M10	92	114	2	10
FM100	2	53	40	M10	110	136	2	11.5
FM200	2	58	45	M10	124	151	3	11.5
FM400	4	70	63	M12	120	150	3	14.5
FM600	4	100	85	M16	160	200	4	14.5
FM1500	4	186	160	M24	250	310	6	18

PART NUMBER	40 SHORE		60 SHORE		75 SHORE	
	Kg	mm	Kg	mm	Kg	mm
FM1566	10	1.40	20	1.35	23	1.10
FM209	40	3.00	76	2.80	112	2.50
FM007	3.5	3.00	9	3.00	13	2.70
FM25	20	4.50	40	4.50	57	4.00
FM50	38	5.00	69	4.80	101	4.50
FM100	60	7.00	100	6.50	147	6.00
FM200	130	10.00	220	9.00	320	8.50
FM400	270	14.50	540	13.00	793	9.50
FM600	375	17.00	750	15.50	1103	12.00
FM1500	1150	46.00	2300	41.50	3381	37.00



PART NUMBER	A mm	B mm	C mm	D mm	E mm	F mm	G mm	H mm
FM4020	40	20	M6	19	29	52	64	8.5
FM6024	60	24	M6	14	34	76	90	8.5
FM8027	80	27	M8	25	65	100	120	8.2
FM10028	100	28	M10	22	70	124	148	10.0
FM15039	150	39	M14	34	115	182	214	12.0
FM20044	200	44	M18	35	140	240	280	15

PART NUMBER	45 SHORE		60 SHORE		75 SHORE	
	Kg	mm	Kg	mm	Kg	mm
FM4020	4	2	10	2.5	17	2.5
FM6024	15	3	25	3	45	3
FM8027	75	7	110	6	150	4
FM10028	90	4	160	4	220	4
FM15039	130	7	250	7	350	6
FM20044	500	7	825	7	1250	6



DATA SHEET FM 2011. Max compression load in Kg deflection in mm.

This information is for guidance only. Customers are recommended to contact us for further technical information on products and applications. We reserve the right to alter specifications or withdraw products without notice.