

Cone Mounting

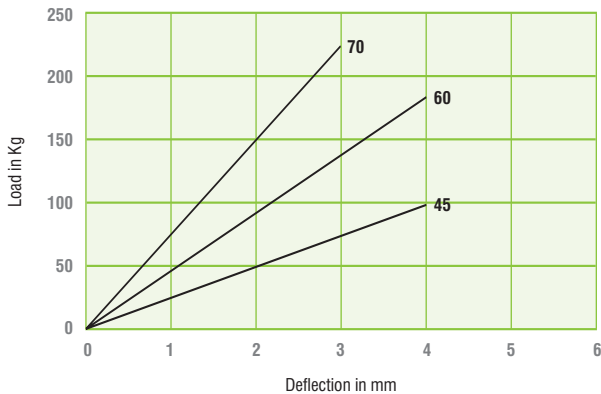
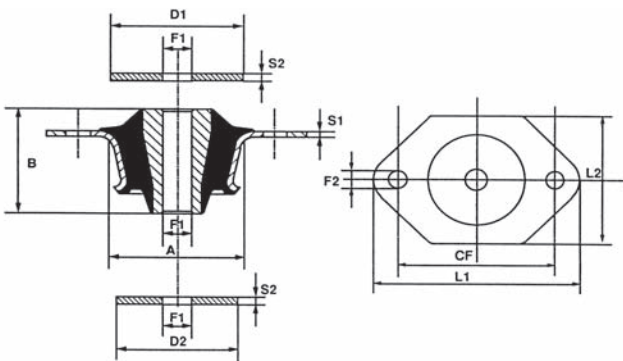
Cab & Cone Mountings are a robust product offering a high horizontal stiffness compared to its vertical stiffness in order to control the movement of Engines & Equipment. They are ideal for mobile applications, and are able to accommodate high loads & shock forces whilst offering excellent vibration isolation properties. Cut outs in the rubber section allow for different horizontal to vertical stiffness ratios and the mountings can be supplied with Bump & Rebound washers to provide a failsafe mounting solution. The design of the mountings ensures a low profile installation.



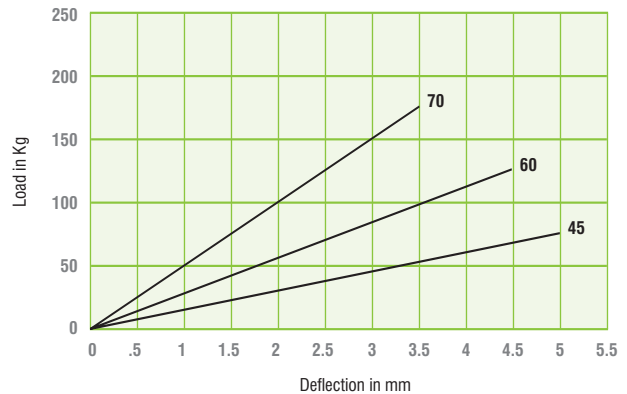
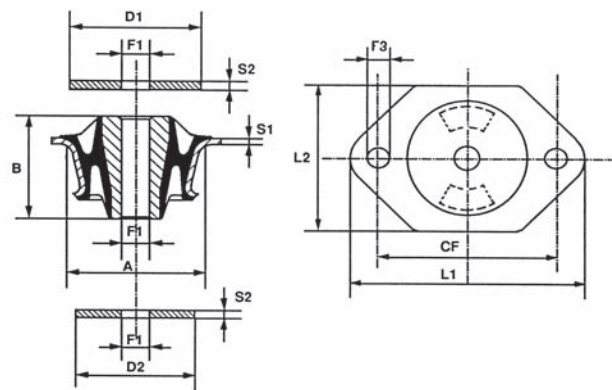
Applications Include: Off Road Vehicle Engines, Cabs, Rail Applications, and Mobile Applications, Transmission & Gear Box Suspension.

PART	TYPE	A	B	CF	D1	D2	F1	F2 x F3	L1	L2	S1	S2
CM6051/12	A	60	45	78 - 84	54	54	12	11 x 14	106	68	2.5	3.0
CM6051/16	A	60	45	78 - 84	54	54	16	11 x 14	106	68	2.5	3.0
CM6051/12	B	60	45	78 - 84	54	54	12	11 x 14	106	68	2.5	3.0
CM6051/16	B	60	45	78 - 84	54	54	16	11 x 14	106	68	2.5	3.0

Type A



Type B Slotted Rubber



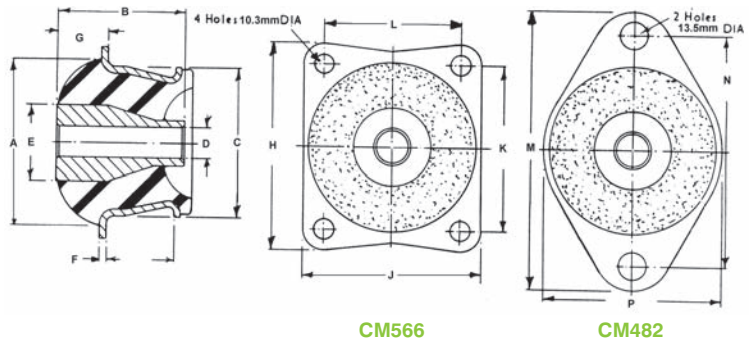
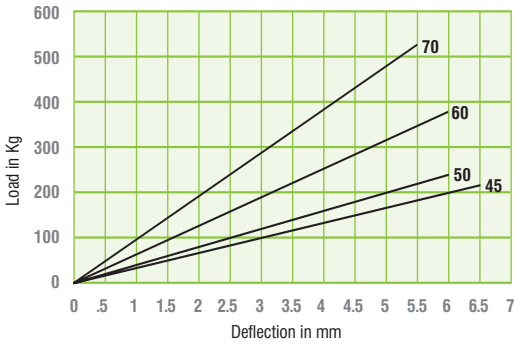
DATA SHEET COM 2011. Max compression load in Kg deflection in mm.

This information is for guidance only. Customers are recommended to contact us for further technical information on products and applications. We reserve the right to alter specifications or withdraw products without notice.

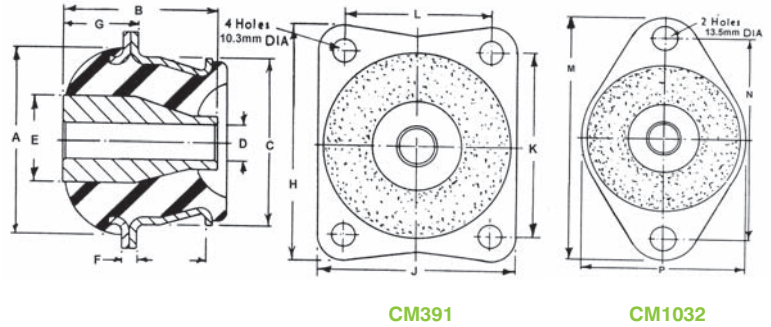
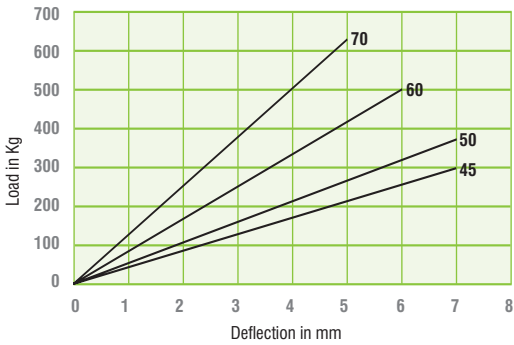
Cone Mounting



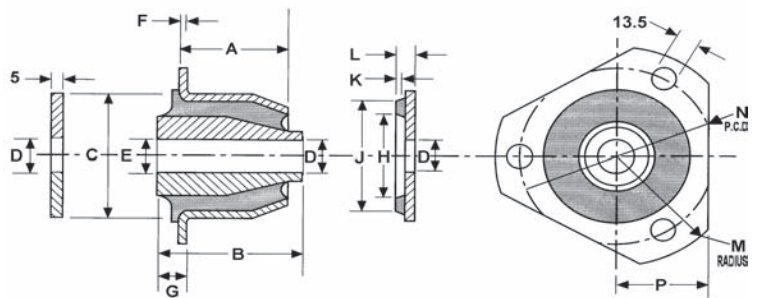
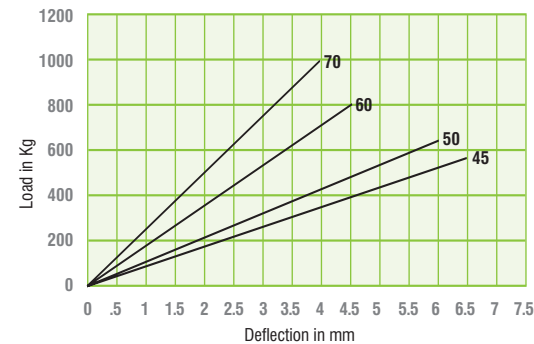
PART NUMBER	A mm	B mm	C mm	D mm	E mm	F mm	G mm	H mm	J mm	K mm	L mm	M mm	N mm	P mm
CM566	84	63.5	74.6	16.2	38	3.7	26.2	105	92	82.7	69.4	-	-	-
CM482	84	63.5	74.6	16.2	38	3.7	26.2	-	-	-	-	140	114.3	89



PART NUMBER	A mm	B mm	C mm	D mm	E mm	F mm	G mm	H mm	J mm	K mm	L mm	M mm	N mm	P mm
CM391	84	70.6	74.6	16.2	38	7	33.3	105	92	82.7	69.4	-	-	-
CM1032	84	70.6	74.6	16.2	38	7	33.3	-	-	-	-	140	114.3	89



PART NUMBER	A mm	B mm	C mm	D mm	E mm	F mm	G mm	H mm	J mm	K mm	L mm	M mm	N mm	P mm
CM225	56	80	75	20.2	20.2	4	16	47	65	7	9	66	106	51.0



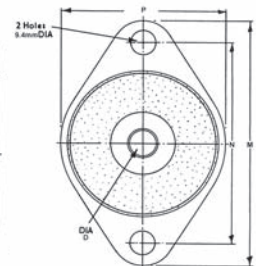
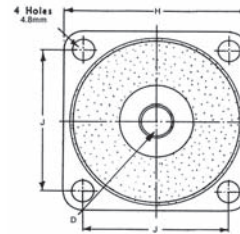
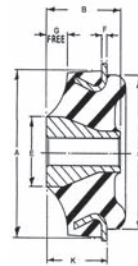
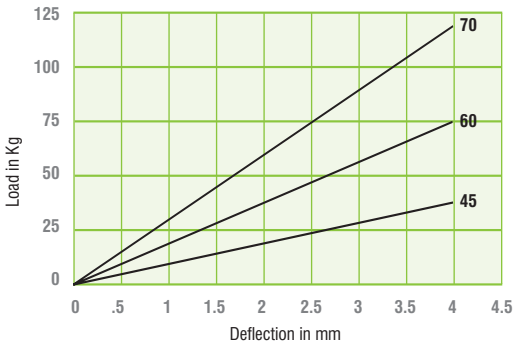
DATA SHEET COM4 2011. Max compression load in Kg deflection in mm.

This information is for guidance only. Customers are recommended to contact us for further technical information on products and applications. We reserve the right to alter specifications or withdraw products without notice.

Cone Mounting



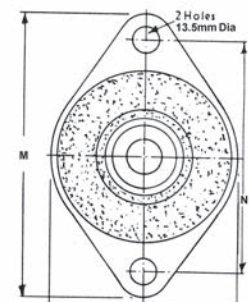
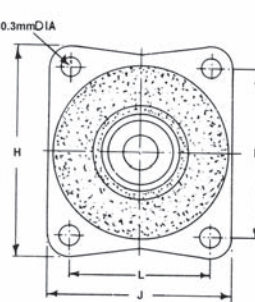
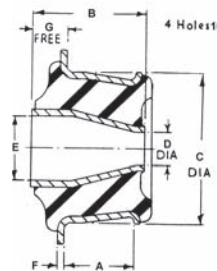
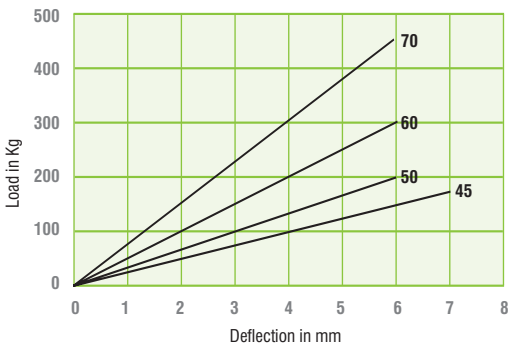
PART NUMBER	A mm	B mm	C mm	D mm	E mm	F mm	G mm	H mm	J mm	K mm	M mm	N mm	P mm
CM379	52	27	49.3	10.1	22.4	2	7	-	-	22.2	89	73	57.2
CM405	52	27	49.3	10.1	22.4	2	7	57.2	44.5	22.2	-	-	-



CM405

CM379

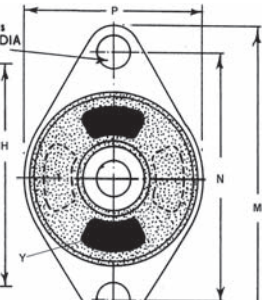
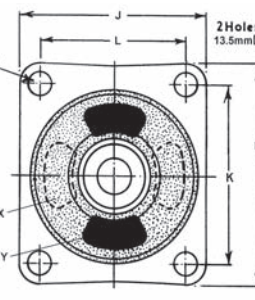
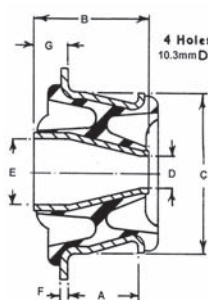
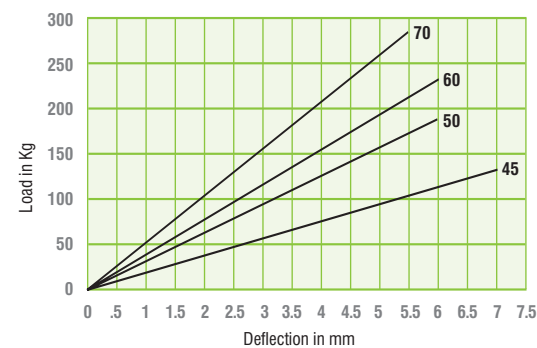
PART NUMBER	A mm	B mm	C mm	D mm	E mm	F mm	G mm	H mm	J mm	K mm	L mm	M mm	N mm	P mm
CM341	34	55.5	74.6	16.2	31.7	3.6	18	105	92	82.7	69.4	-	-	-
CM285	34	55.5	74.6	16.2	31.7	3.6	18	-	-	-	-	140	114.3	89



CM341

CM285

PART NUMBER	A mm	B mm	C mm	D mm	E mm	F mm	G mm	H mm	J mm	K mm	L mm	M mm	N mm	P mm
CM277X	34	55.5	74.6	16.2	31.7	3.6	18	105	92	82.7	69.4			
CM276X	34	55.5	74.6	16.2	31.7	3.6	18					140	114.3	89
CM311Y	34	55.5	74.6	16.2	31.7	3.6	18	105	92	82.7	69.4			
CM310Y	34	55.5	74.6	16.2	31.7	3.6	18					140	114.3	89



CM277X
CM311Y

CM276X
CM310Y

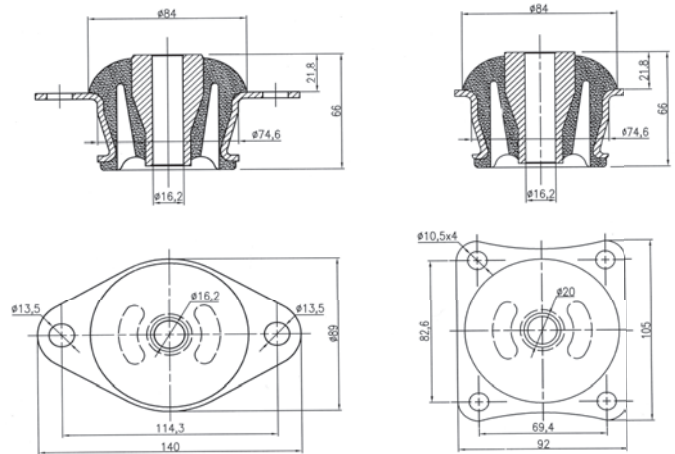
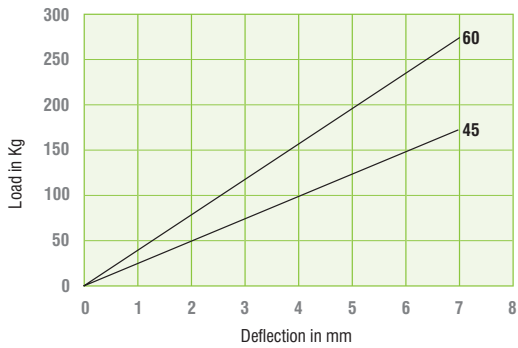
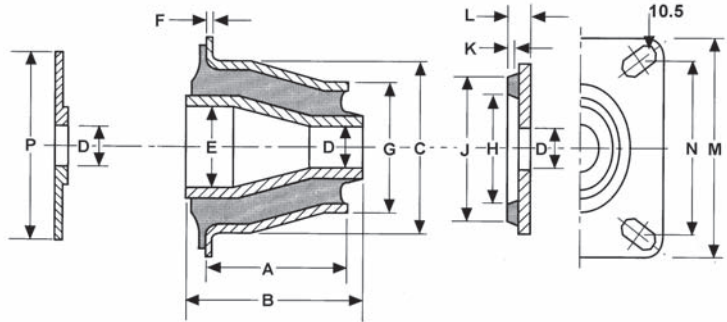
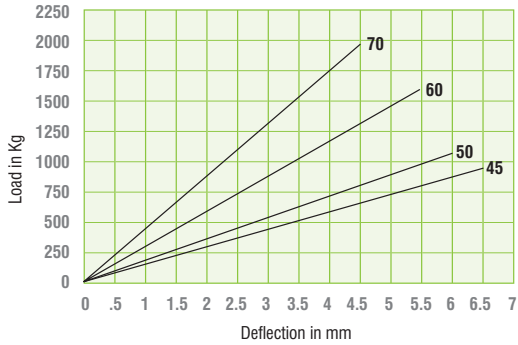
DATA SHEET COM3 2011. Max compression load in Kg deflection in mm.

This information is for guidance only. Customers are recommended to contact us for further technical information on products and applications. We reserve the right to alter specifications or withdraw products without notice.

Cone Mounting



PART NUMBER	A mm	B mm	C mm	D mm	E mm	F mm	G mm	H mm	J mm	K mm	L mm	M mm	N mm	P mm
CM146	106	128.5	95	24.5	43	6	73	60	77	7	15	123	95-100	112



CM30/2

CM30/1

DATA SHEET COM2 2011. Max compression load in Kg deflection in mm.

This information is for guidance only. Customers are recommended to contact us for further technical information on products and applications. We reserve the right to alter specifications or withdraw products without notice.