

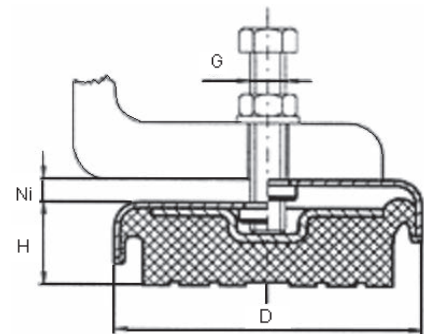
Adjustable Foot Mounts

Anti-Vibration Levelling Feet are simple, low costs products suitable for most types of machinery. They allow machinery to be levelled, and also provide a degree of vibration & noise reduction. Other Sizes, Stainless Steel metals and Oil Resistant / High Temperature rubbers available on request.

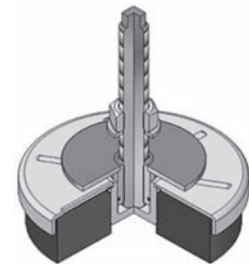
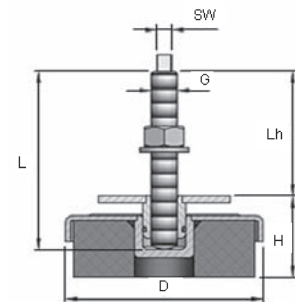
Applications Include: Machine Tools, Lathes, Presses, Heavy Industrial Equipment, Conveyors, Food Processing & Pharmaceutical equipment, Generator Sets.



PART	D	H	Ni	G	Load (daN)
KA01	80	25	10	M10	150
KA02	150	40	12	M16	1000
KA03	200	45	15	M20	3000
KA05	120	35	12	M12	600
KA090	90	35	10	M12	400



PART	D	H	G	L	Lh	SW
MFL-1	80	38-48	M12	100	75-65	8
MFL-2	120	43-55	M16	120	80-68	9
MFL-3	160	48-53	M20	170	125-110	12



DATA SHEET AFM 2011. Max compression load in Kg deflection in mm.

This information is for guidance only. Customers are recommended to contact us for further technical information on products and applications. We reserve the right to alter specifications or withdraw products without notice.

Levelling Foot Mounts

Anti-Vibration Levelling Feet are simple, low costs products suitable for most types of machinery. They allow machinery to be levelled, and also provide a degree of vibration & noise reduction. Other Sizes, Stainless Steel metals and Oil Resistant / High Temperature rubbers available on request.

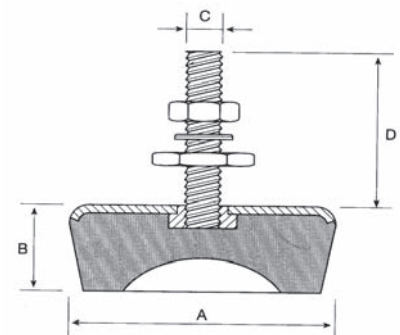
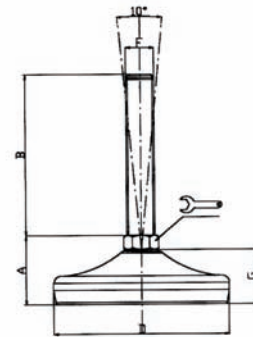
Applications Include: Machine Tools, Lathes, Presses, Heavy Industrial Equipment, Conveyors, Food Processing & Pharmaceutical equipment, Generator Sets.

Available in plated mild steel or stainless steel

PART	G	B*	F*	D	A	MAX STATIC Kg
AVLF50	19	min 50-150 max	min M10-M16 max	50	29	400
AVLF80	25	min 50-200 max	min M10-M24 max	80	35	1000
AVLF100	30	min 75-250 max	min M16-M30 max	100	38.5	1500
AVLF120	32	min 75-250 max	min M16-M30 max	120	42.5	3000

*Available with various thread sizes & thread lengths

PART	A	B	C	D	MIN Kg	MAX Kg
HARFSV000	40	23	M8	48	20	80
HARFSV00	60	28	M10	81	60	120
HARFSV0	70	32	M12	89	90	160
HARFSV1	85	32	M12	89	130	350
HARFSV2	100	40	M14	109	270	600
HARFSV3	120	50	M16	116	450	900
HARFSV4	140	55	M16	116	700	1200
HARFSV5	160	60	M16	116	1100	1750
HARFSV6	180	70	M24	138	1500	2500
HARFSV7	210	75	M24	138	2100	3750



DATA SHEET HARFSV/1 2011. Max compression load in Kg deflection in mm.

This information is for guidance only. Customers are recommended to contact us for further technical information on products and applications. We reserve the right to alter specifications or withdraw products without notice.