

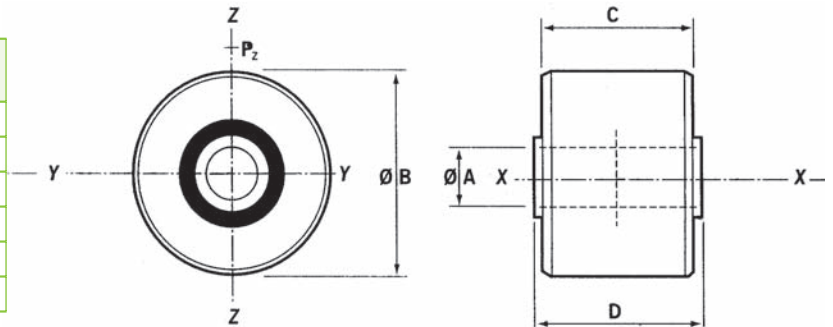
# Spherical Bushes

**Spheri Bushes** are compact heavy duty flexible bearings, able to accommodate high loads and allow movement in both torsional and conical directions. No Lubrication is required and they are completely maintenance free.

**Applications Include:** off road vehicles, construction equipment, Rail Applications, Suspension Control Links, 'A' frame bushes.



PART	A	B	C	D	Pz (KN)
SB1316	25.4	66.7	48.0	54.2	34.0
SB2166	25.4	66.8	47.6	54.2	34.0
SB2201	25.4	66.7	47.6	54.0	34.0
SB2106	28.6	90.5	70.0	76.2	58.0
SB1285	38.1	104.8	76.2	82.6	80.0
SB2202*	35	66.7	47.6	120.0	34.0



Pz is the Max Radial Load  
\* With Solid Pin

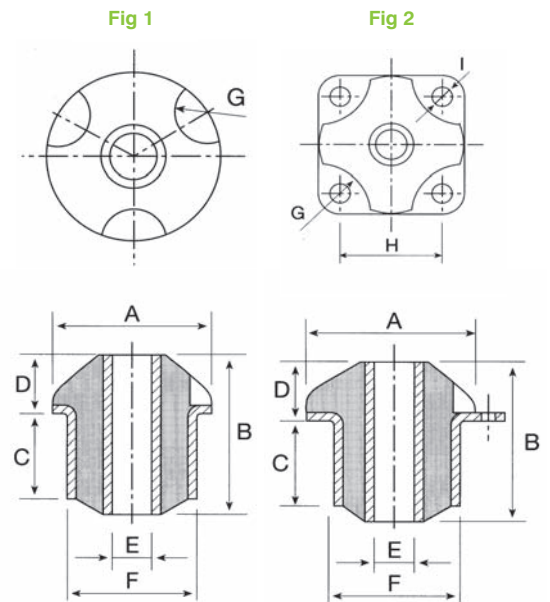
# Flange Bushes

**Flanged Bushes** are a simple design using the rubber in shear. A relatively stiff mounting, able to accommodate high loads of upto 1100Kg and is ideal for isolating medium to high frequency vibrations. The product has a high radial to axial stiffness ratio and is therefore ideal for controlling horizontal movement. Using rebound & control washers will provide a failsafe mounting system.

**Applications Include:** Engines, Compressors, Vehicles, Radiators, Agricultural & Construction equipment.



PART	A	B	C	D	E	F	G	Fig	45 SHORE		60 SHORE		75 SHORE	
									Kg	mm	Kg	mm	Kg	mm
FB00	36	28	12	11	8.1	26	12	2	20	1.5	30	1.2	40	0.8
FB02	48	51	24	18	12.5	38.0	8	1	65	2.5	85	2	110	2
FB20	70	55	27	19	18.5	56.0	10	1	100	3.5	150	3	180	2.5
FB21	70	70	39	19	18.5	56.0	10	1	125	3.5	200	3	250	2.5
FB40	100	90	42	28	22.5	74	19	1	200	5	350	4.5	400	3.5
FB41	100	110	49	28	22.5	74	19	1	225	5	375	5	450	3.5
FB70s	165	98	36	46	60.2	119	22	1	450	6.5	800	5.5	1000	3.5
FB70	165	140	66	46	60.2	119	22	1	450	6.5	900	5.5	1100	3.5



DATA SHEET SB/FB 2011. Max compression load in Kg deflection in mm.

This information is for guidance only. Customers are recommended to contact us for further technical information on products and applications. We reserve the right to alter specifications or withdraw products without notice.