

Turret Mounting

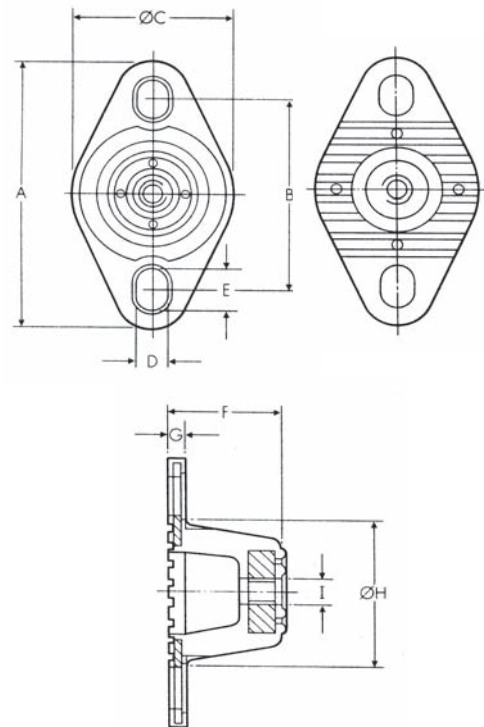
Turret Mountings - Designed primarily for the HVAC industry, they are a low cost product, ideal for static applications. The rubber completely encapsulates the metal parts to avoid corrosion problems. Giving relatively high levels of deflection, they offer good levels of vibration reduction, even at low running speeds.

Applications Include: HVAC, Fans, and Pumps etc.



TYPE	A	B	C	D	E	F	G	H	I
	mm	mm	mm	mm	mm	mm	mm	mm	mm
TMS	80	54-60	45	9	12	32	5	41	M8
TMM	95	67-76	60	9	14	45	5	56	M10
TML	150	105-126	86	11	22.5	70	6	82	M12

PART NUMBER	MAXIMUM LOAD Kg	MAXIMUM DEFLECTION	NOMINAL HARDNESS	COLOUR CODE
TMS08035	35	8	45	YELLOW
TMS08065	65	8	55	BLUE
TMS08100	100	8	65	RED
TMM10130	130	10	45	YELLOW
TMM10225	225	10	55	BLUE
TMM10350	350	10	65	RED
TML10185	185	10	45	YELLOW
TML10320	320	10	55	BLUE
TML10500	500	10	65	RED



DATA SHEET TM 2011. Max compression load in Kg deflection in mm.

This information is for guidance only. Customers are recommended to contact us for further technical information on products and applications. We reserve the right to alter specifications or withdraw products without notice.