

Jubo Couplings

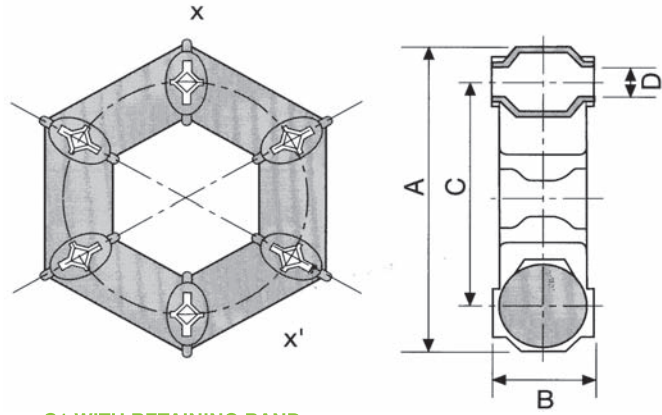
Jubo Couplings comprise of a polygon of rubber with moulded metal inserts. After moulding the product has a retaining band fitted to precompress the rubber, which is then removed after fitting. The product accommodates large angular & axial movements & reduces torsional vibration

Applications Include: include Construction & Off Road Vehicles, Military vehicles, Automotive.



PART	NORMAL TORQUE	RPM MAX	A	B	C1	D
JC220.101	157Nm	4500	142	46	100	12
JC220.102	245Nm	3500	181	51	132	14
JC220.103	343Nm	3000	200	54	150	18
JC220.105	687Nm	2400	263	68	190	20
JC220.555	40Nm	6000	91	28	65	8
JC220.1026	88Nm	5000	117	32	85	10
JC220.524	490Nm	2800	232	62	170	20

Max Torque Is 2.5 Normal Torque



C1 WITH RETAINING BAND

DATA SHEET JC 2011. Max compression load in Kg deflection in mm.

This information is for guidance only. Customers are recommended to contact us for further technical information on products and applications. We reserve the right to alter specifications or withdraw products without notice.