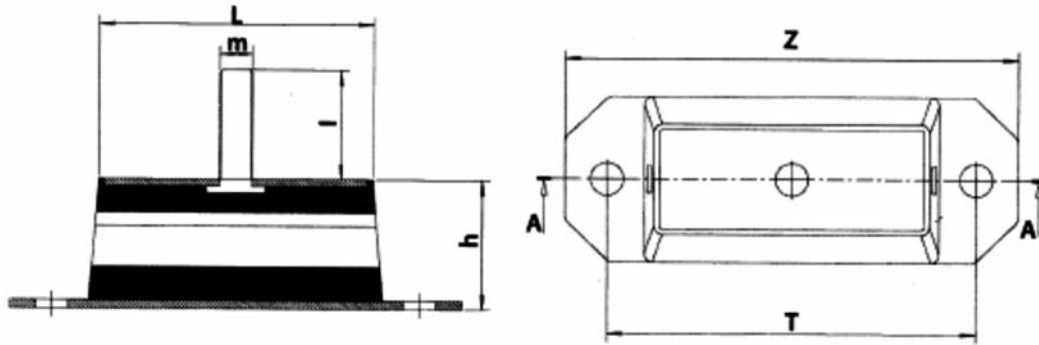
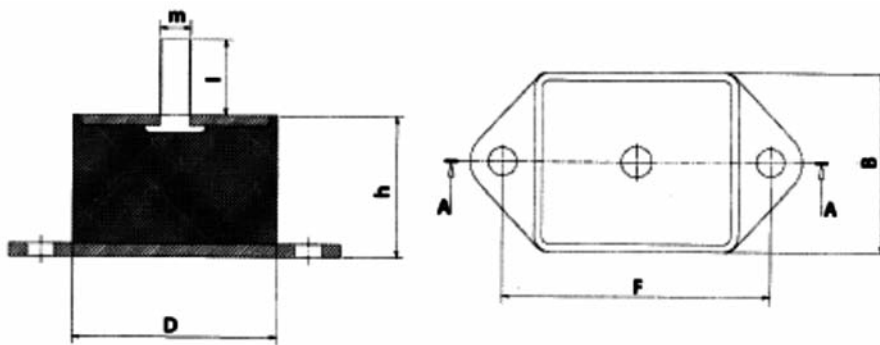


# SF Mounts



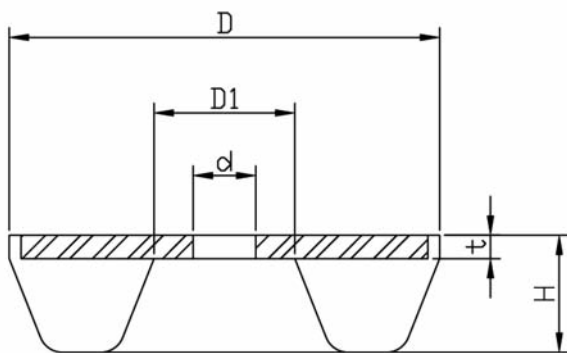
PART NO	Z	L	T	h	m	l
SF50	115	50	85	46	M12	37
SF100	165	100	135	46	M12	37
SF150	215	150	185	46	M12	37
SF200	265	200	235	46	M12	37

# SL Mounts



PART NO	F	D	B	h	m	l
SL60	105	80	70	54	M12	27

# Vibration & Noise Reduction Foot



PART NO	D	D1	d	H	t
NVF75	55	18	8	15	3
NVF250	75	25	10	17	4
NVF750	115	40	14	24	4