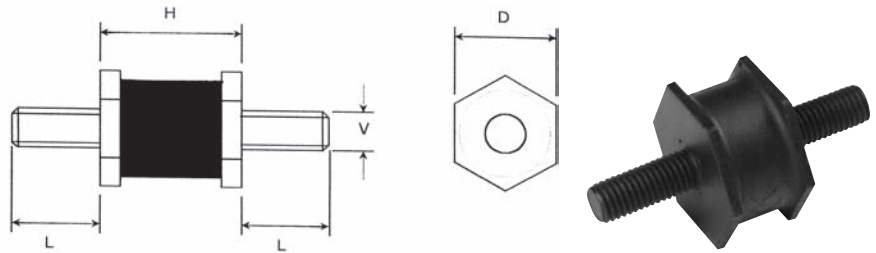


Male - Male Hexagon Bobbins

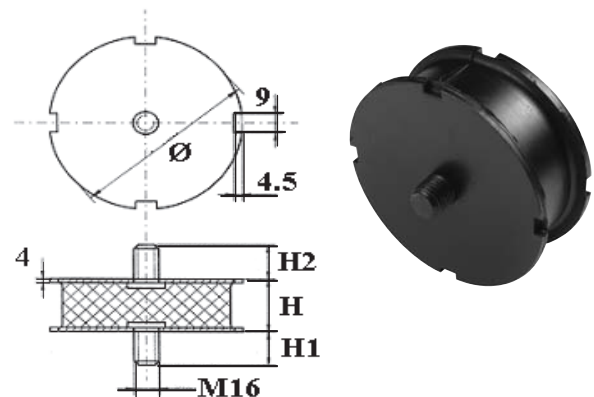


Hexagon Bobbin Mounts having hexagonal end metals, so that mountings can be held with a spanner to avoid twisting the rubber during installation. Can be used in Compression or Shear or a combination.

Applications include - General Purpose mountings for lightweight industrial equipment having weight range from 1Kg to 110Kg per mounting.

| PART | D x H | V x L | COMPRESSION LOAD | | SHEAR LOAD | |
|-----------|---------|----------|------------------|--------|------------|--------|
| | | | MAX Kg | MAX mm | MAX Kg | MAX mm |
| 1382/45 | 16 x 16 | M6 x 12 | 4.0 | 1.0 | 3.8 | 3.8 |
| 1382/60 | 16 x 16 | M6 x 12 | 8.0 | 1.0 | 3.2 | 1.8 |
| 1383/45 | 21 x 19 | M8 x 20 | 8.0 | 1.2 | 7.0 | 6.5 |
| 1383/60 | 21 x 19 | M8 x 20 | 16.0 | 1.2 | 6.5 | 2.7 |
| 1384/45 | 32 x 26 | M8 x 16 | 16.0 | 2.0 | 10.0 | 7.0 |
| 1384/60 | 32 x 26 | M8 x 16 | 31.0 | 2.0 | 11.0 | 3.5 |
| 1385/45 | 33 x 22 | M10 x 25 | 29.0 | 1.5 | 13.0 | 4.5 |
| 1385/60 | 33 x 22 | M10 x 25 | 57.0 | 1.5 | 14.0 | 2.5 |
| 1386/45 | 43 x 25 | M12 x 30 | 58.0 | 1.7 | 28.0 | 6.0 |
| 1386/60 | 43 x 25 | M12 x 30 | 110.0 | 1.7 | 30.0 | 3.0 |
| HEX200/60 | 32 x 23 | M8 x 18 | 36.0 | 1.5 | 13.0 | 3.5 |

Bemag Mountings



Applications include - Bemag Mountings are ideal for applications where high dynamic forces are experienced, such as Vibratory Rollers, Compactors & Construction Equipment.

| PART NO. | Ø | H | h1 | h2 |
|----------------|-----|----|----|----|
| BM10540MF17 | 105 | 40 | 17 | F |
| BM10540MM13/18 | 105 | 40 | 13 | 18 |
| BM10540MM28 | 105 | 40 | 28 | 28 |
| BM10555MF17 | 105 | 55 | 17 | F |
| BM10555MM26/15 | 105 | 55 | 26 | 15 |
| BM10555MM36/25 | 105 | 55 | 36 | 25 |

'F' DENOTES M16 FEMALE THREAD

DATA SHEET HEX/1 - BM/1 2011. Max compression load in Kg deflection in mm.

This information is for guidance only. Customers are recommended to contact us for further technical information on products and applications. We reserve the right to alter specifications or withdraw products without notice.