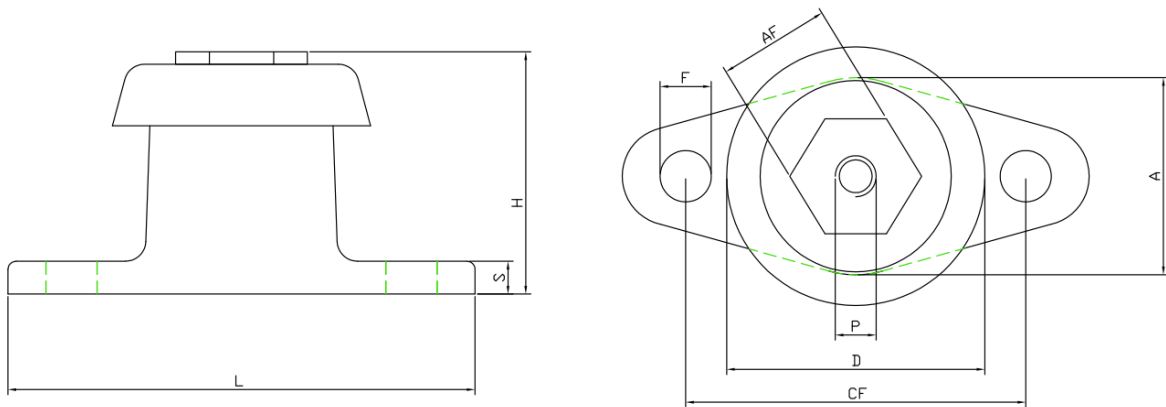


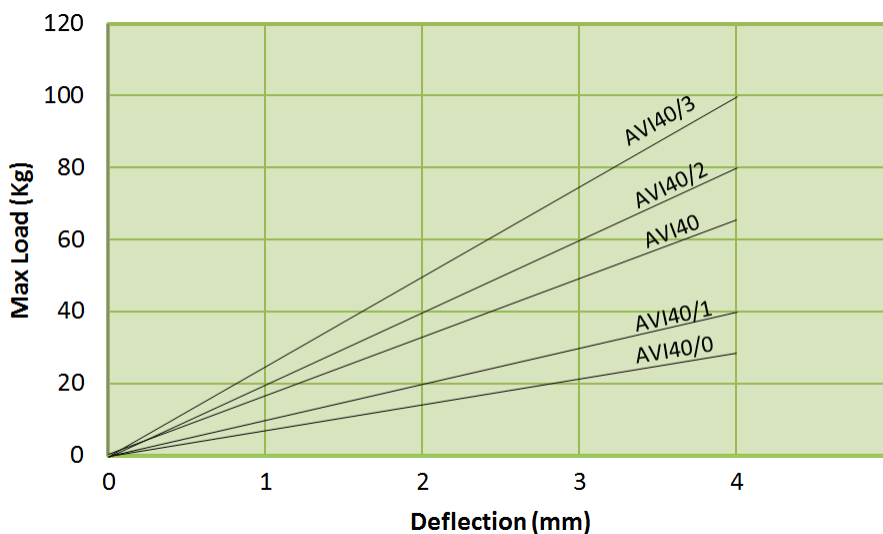
AVI Mount

The AVI Series of mountings offer a Captive mounting solution. High performing and easy to install, these mountings are suitable for both mobile and static applications, with a metal top cap which provides protection from contaminants such as Oil or Fuel.

Being designed to isolate medium to high frequency vibration, they are an ideal solution for applications such as: Industrial Mobile Equipment, Mobile Engines, Pumps and Compressors, Generator Sets and HVAC Equipment.



PART NUMBER	A	D	F	AF	P	L	CF	H	S
AVI40	48	64	12.5	28	M10	114	83	60	8



DATA SHEET 2014. Max compression load in Kg deflection in mm.

This information is for guidance only. Customers are recommended to contact us for further technical information on products and applications. We reserve the right to alter specifications or withdraw products without notice.