

# IOS Bushes

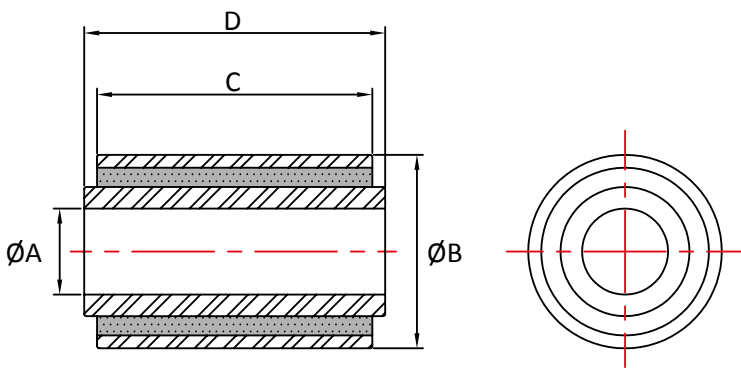
IOS bushes are manufactured from high quality rubber which is bonded between two concentric sleeves. Designed to allow torsional, radial and axial movement within a system, whilst also offering vibration reduction properties.

They are manufactured in such a way as to provide high durability during dynamic loads and prolonged service life. IOS bushings require no lubrication and are maintenance free.



## Applications:

- Vehicle suspension
- Pivot bearings
- Mechanical linkages
- Cab mounts
- Engine mounts
- Off-road vehicles
- Military applications
- Construction Equipment



Custom Polyurethane Bushes also available

Part No	A	B	C	D
IOS08192830	8	19	28	30
IOS10222420	10	22	24	20
IOS12222528	12	22	25	28
IOS1302	7.9	22.2	25.4	27.8
IOS10252025	10	25	20	25
IOS12252428	12	25	24	28
IOS8.5262525	8.5	26	25	25
IOS10273840	10	27	38	40
IOS1460	12.7	28.6	25.4	28.6
IOS12301718	12	30	17	18
IOS12303640	12	30	36	40
IOS17343934	17	34	39	34
IOS15354550	15	35	45	50
IOS15352530	15	35	25	30
IOS20384046	20	38	40	46
IOS1823	20.07	38.18	34.9	41.3
IOS20406266	20	40	62	66
IOS25404040	25	40	40	40
IOS25403030	25	40	30	30
IOS20456063	20	45	60	63
IOS20454046	20	45	40	46
IOS204559.562.5	20	45	59.5	62.5
IOS20456470	20	45	64	70
IOS16454652	16	45	46	52
IOS20463542	20	46	35	42
IOS0877	25.4	46.7	25.4	34.9
IOS15473137	15	47	31	37
IOS2847110116	28	47	110	116
IOS1004	15.9	47.6	44.5	50.8
IOS24506470	24	50	64	70
IOS30506066	30	50	60	66
IOS25503034	25	50	30	34
IOS255	25	50	65	68
IOS25508085	25	50	80	85
IOS25504045	25	50	40	45
IOS25507985	25	50	79	85
IOS25506568	25	50	65	68
IOS1005	28.58	54.6	114	123.8
IOS15.5553016	15.5	55	30	16
IOS0989	28.57	57.15	85.73	88.9
IOS30606068	30	60	60	68
IOS40624042	40	62	40	42
IOS36626571	36	62	65	71
IOS30637266	30	63	72	66
IOS38648088	38	64	80	88
IOS30656070	30	65	60	70
IOS40658088	40	65	80	88
IOS35655060	35	65	50	60
IOS407112115	40	70	112	115
IOS1284-70	44.45	76.2	76.2	82.55

Max compression load in Kg deflection in mm.

This information is for guidance only. Customers are recommended to contact us for further technical information on products and applications. We reserve the right to alter specifications or withdraw products without notice.