

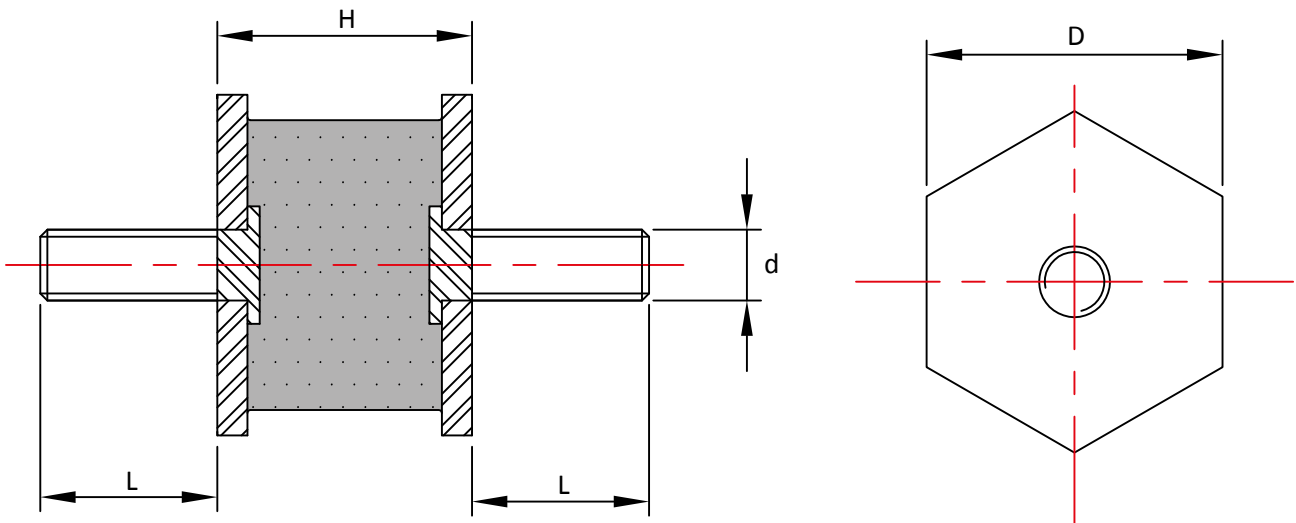
# Hexagon Bobbins

Hexagon Bobbin Mounts are manufactured with hexagonal end metals to allow the fitter to grip the mounting with a spanner to avoid twisting of the rubber during installation.

Mountings can be used in Compression, Shear or a combination of both and can accommodate compression loads from 4kg to 110kg per mounting.

## Applications include:

Control Panels; Industrial Equipment; Radiators; Exhaust Systems and General purpose machinery.



Part No	D	H	d	L	Compression Load		Shear Load	
					Kg	mm	Kg	mm
HEX1382/45	16	16	M6	12	4.0	1.0	3	3.8
HEX1382/60	16	16	M6	12	8.0	1.0	3.2	1.8
HEX1383/45	21	19	M8	20	8.0	1.2	7.0	6.5
HEX1383/60	21	19	M8	20	16.0	1.2	6.5	2.7
HEX1384/45	32	26	M8	16	16.0	2.0	10.0	7.0
HEX1384/60	32	26	M8	16	31.0	2.0	11.0	3.5
HEX1385/45	33	22	M10	25	29.0	1.5	13.0	4.5
HEX1385/60	33	22	M10	25	57.0	1.5	14.0	2.5
HEX1386/45	43	25	M12	30	58.0	1.7	28.0	6.0
HEX1386/60	43	25	M12	30	110.0	1.7	30.0	3.0
HEX200/60	32	23	M8	18	36.0	1.5	13.0	3.5

Max compression load in Kg deflection in mm.

This information is for guidance only. Customers are recommended to contact us for further technical information on products and applications. We reserve the right to alter specifications or withdraw products without notice.