

Tapered Buffers

Tapered Buffers are ideal for absorbing shock. They provide high levels of deformation under impact force, and a progressive stiffness rate to accommodate varying shock forces, thus giving excellent levels of absorption and protection of machinery and fabrications.

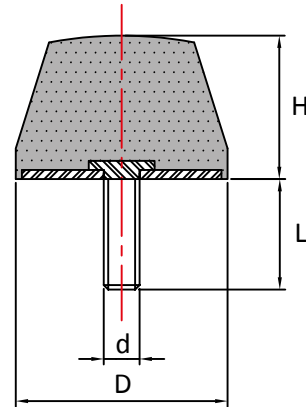
Stainless Steel Metals, Synthetic rubber compounds and Female Fixings available on request.

Applications include:

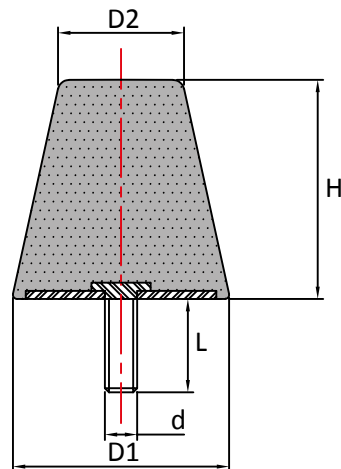
- Primary and Secondary suspension for vehicles, bump stops for general Industrial Machinery, Assister springs, Construction and Agricultural Machinery.



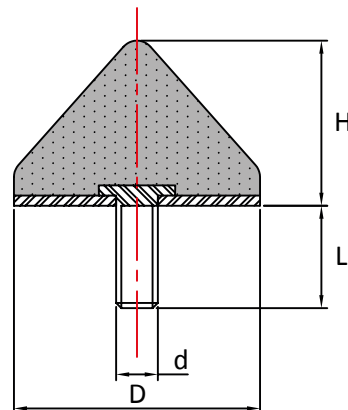
Part No.	D	H	d	L
1212MCBT10	12	12	M4	10
1406MCBT04	14	6	M4	4
2512MCBT18	25	12	M6	18
2514MCBT10	25	14	M4	10
2517MCBT18	25	17	M6	18
3627MCBT20	36	27	M8	20
4521MCBT46	45	21	M8	46
5018MCBT28	50	18	M10	28
5020MCBT28	50	20	M10	28
5050MCBT28	50	50	M10	28
12545MCBT45	125	45	M16	45



Part No	D1	D2	H	d	L
3835MFBT27	38	30	35	M10	27
4335MFBT27	43	30	35	M10	27
4350MFBT25	43	30	50	M10	25



Part No	D	H	d	L
2417MCB20	24	17	M8	20
2516MCB20	25	16	M8	20
4024MCB28	40	24	M8	28
5028MCB28	50	28	M8	28
5045MCB35	50	45	M10	35
6045MCB28	60	45	M10	28
8565MCB37	85	65	M12	37



Max compression load in Kg deflection in mm.

This information is for guidance only. Customers are recommended to contact us for further technical information on products and applications. We reserve the right to alter specifications or withdraw products without notice.