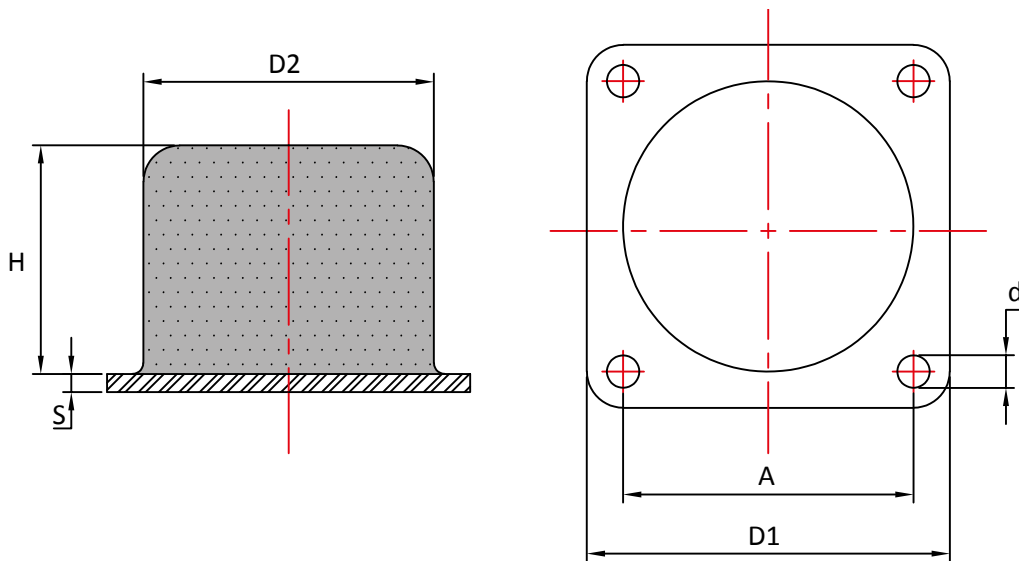


Square Plate Buffers

Square Plate buffers provide a Heavy Duty solution for absorbing high levels of shock and impact forces. The large rubber section allows for high levels of deformation, ensuring that the impact energy is dissipated effectively.

Applications

- Construction Equipment and Vehicles
- Mining and Quarry Equipment
- Agricultural Vehicles
- Lifts and Elevators
- General Industrial Machinery



Part No	D1	A	D2	d	H	S	Max Kg
PB50	50	40	40	5,5	32	2	1430
PB63	63	50	50	6,5	40	3	1730
PB75	100	75	75	9	60	3	2040
PB80	80	63	63	6,5	50	4	2755
PB100	100	80	80	9	63	5	3775
PB125	125	100	100	9	80	6	6630
PB130	130	100	100	11	78	6	6500
PB1700-2	160	135	125	13	70	6	10000
PB160	160	125	125	11	100	6	9890
PB200	200	160	160	11	125	8	16315
PB250	250	200	200	13	160	8	24470

*Max kg is for occasional shock loads

Max compression load in Kg deflection in mm.

This information is for guidance only. Customers are recommended to contact us for further technical information on products and applications. We reserve the right to alter specifications or withdraw products without notice.