

Cone and Cab Mountings

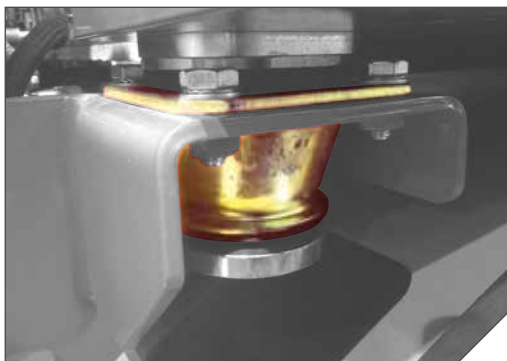
Cone & Cab Mountings are a robust product offering a high horizontal stiffness compared to the vertical stiffness in order to control the movement of Engines, Cabs and Equipment. They are ideal for mobile applications, and are able to accommodate high loads and shock forces whilst offering excellent vibration isolation properties. Cut outs in the rubber section allow for different horizontal to vertical stiffness ratios and the mountings can be supplied with Overload & Rebound washers to provide a failsafe mounting solution. The design of the mountings ensures a low profile installations.

Advantages:

- Failsafe Design
- Ideal for Mobile Applications
- ROPS & FOPS (subject to approval)
- High Shock Load Capacity
- Excellent Vibration Reduction
- Low Profile Installation

Applications:

- Construction Machinery
- Off Road Vehicle Engines
- Vehicle Cabs
- Rail Applications
- Transmission and Gearbox Suspension
- Commercial Vehicles
- Agricultural Vehicles

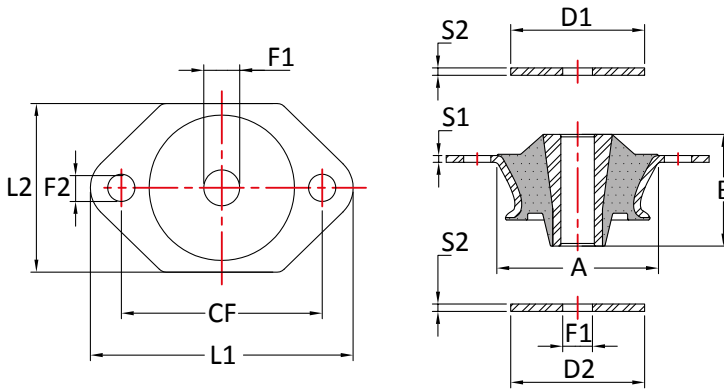


Max compression load in Kg deflection in mm.

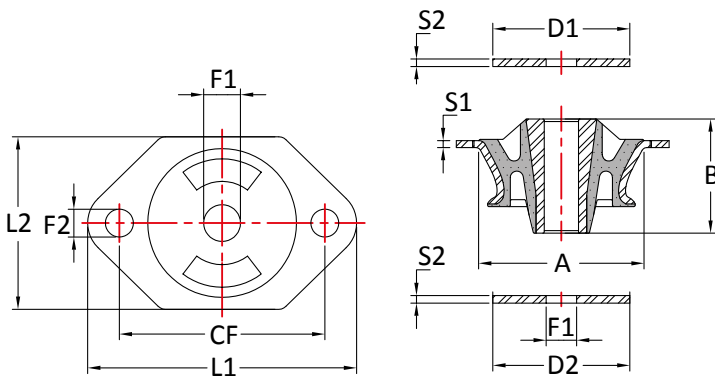
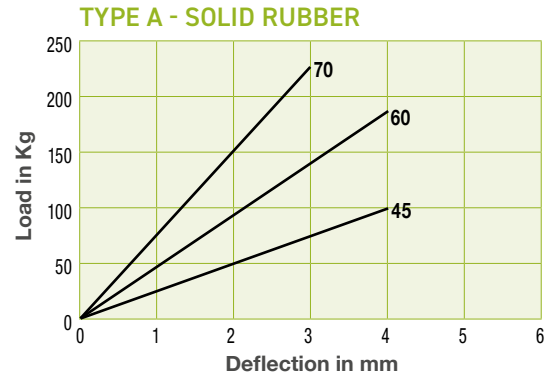
This information is for guidance only. Customers are recommended to contact us for further technical information on products and applications. We reserve the right to alter specifications or withdraw products without notice.

Cone Mountings

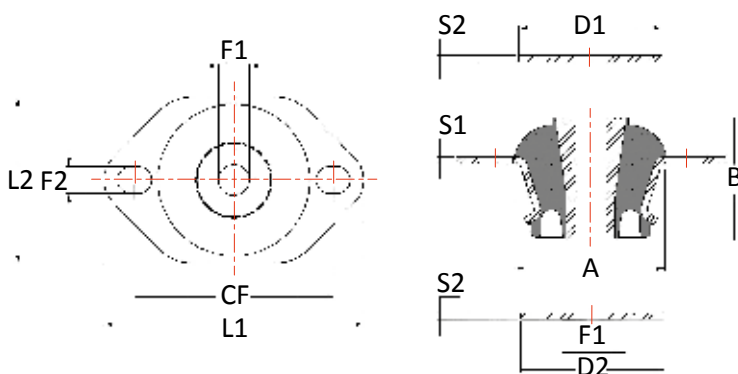
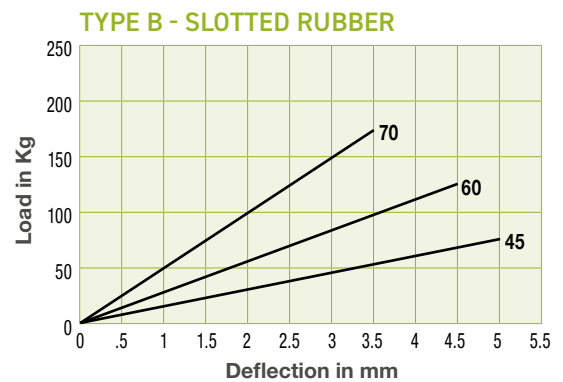
2 hole



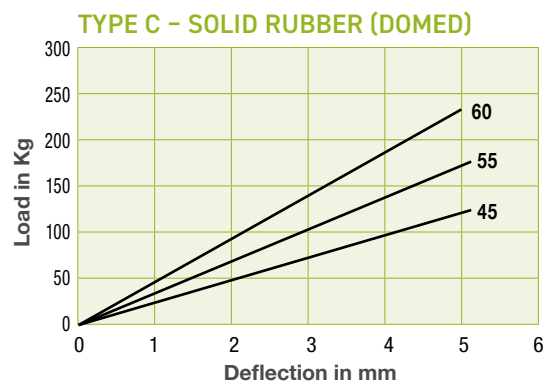
Type A – Solid Rubber



Type B – Slotted Rubber



Type C – Solid Rubber (Domed)



Part No	Type	A	B	CF	D1	D2	F1	F2	L1	L2	S1	S2
CM6051/12A	A	60	45	78 - 84	54	54	12	11	106	68	2.5	3.0
CM6051/16A	A	60	45	78 - 84	54	54	16	11	106	68	2.5	3.0
CM6051/12B	B	60	45	78 - 84	54	54	12	11	106	68	2.5	3.0
CM6051/16B	B	60	45	78 - 84	54	54	16	11	106	68	2.5	3.0
CM6051/12C	C	60	49.5	78 - 84	54	54	12	11	106	68	2.5	3.0

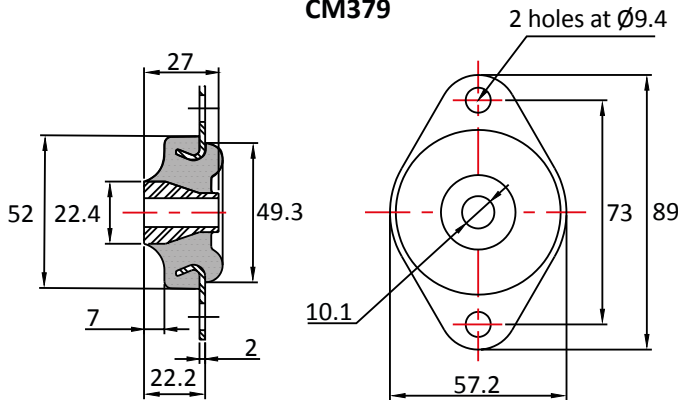
Max compression load in Kg deflection in mm.

This information is for guidance only. Customers are recommended to contact us for further technical information on products and applications.

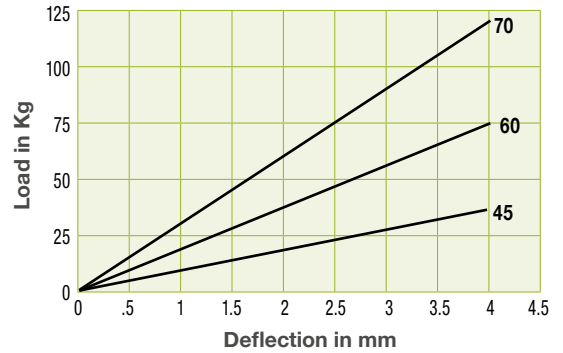
We reserve the right to alter specifications or withdraw products without notice.



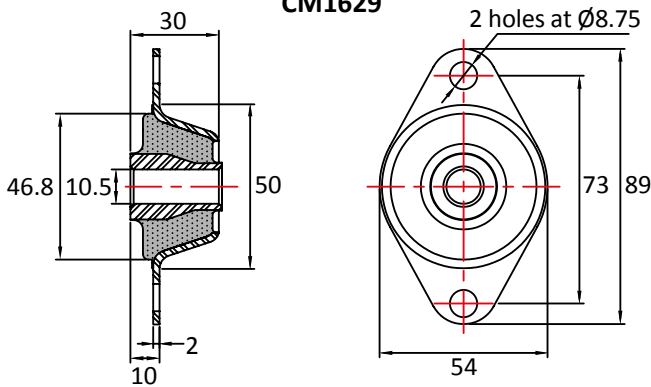
CM379



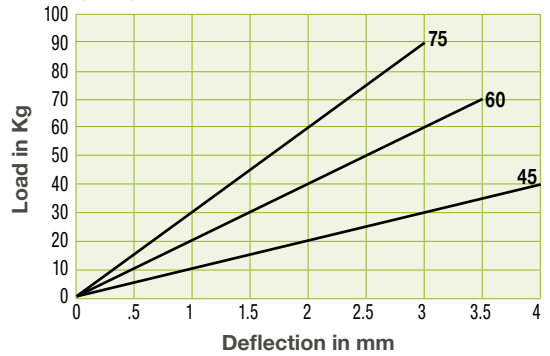
CM379



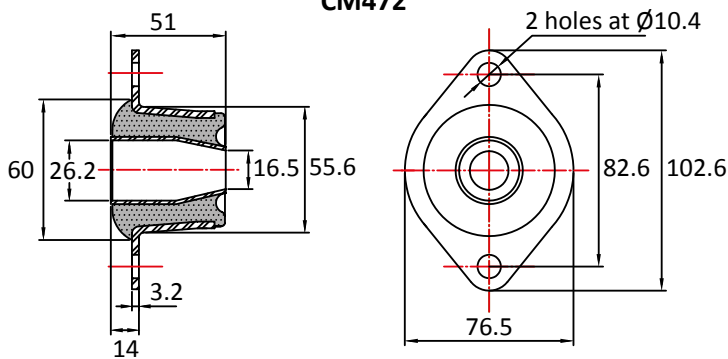
CM1629



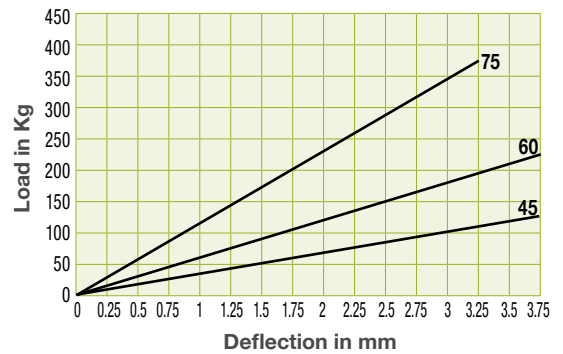
CM1629



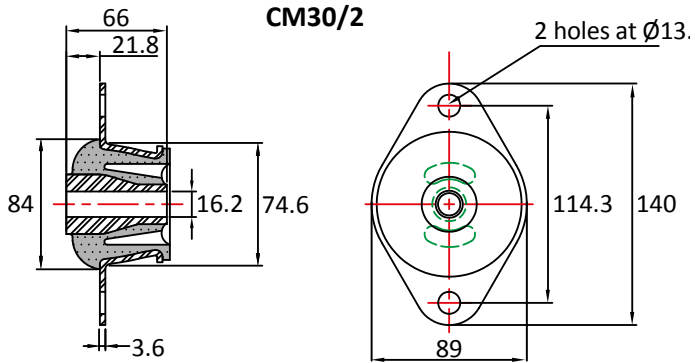
CM472



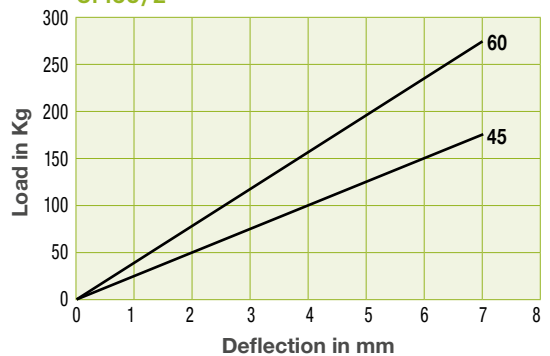
CM472



CM30/2



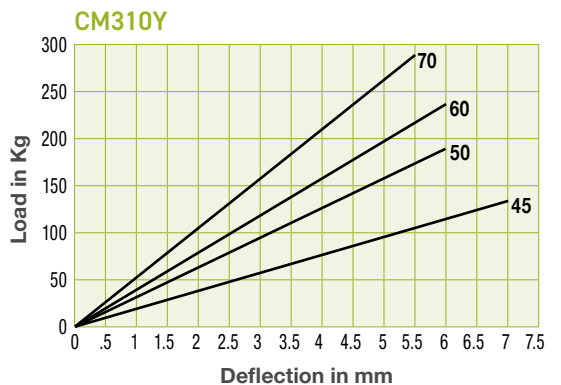
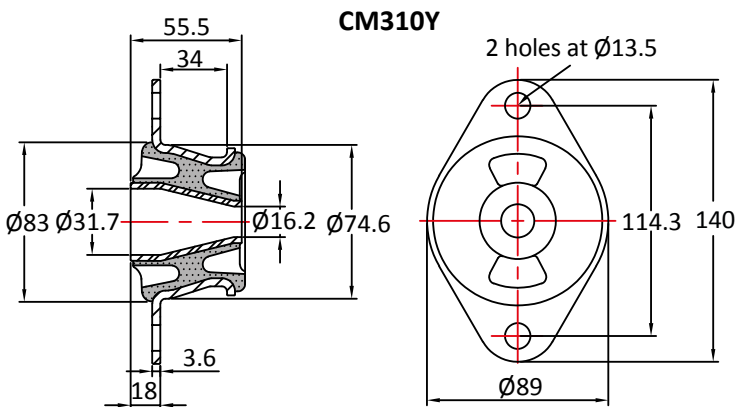
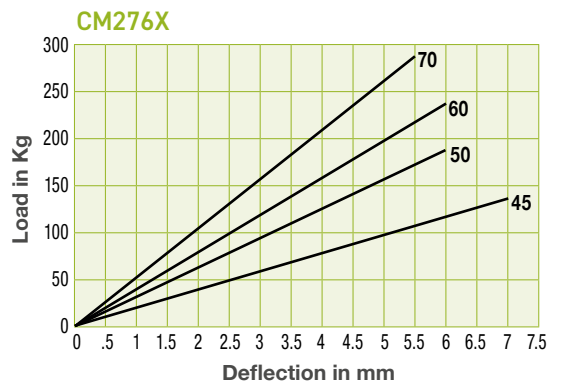
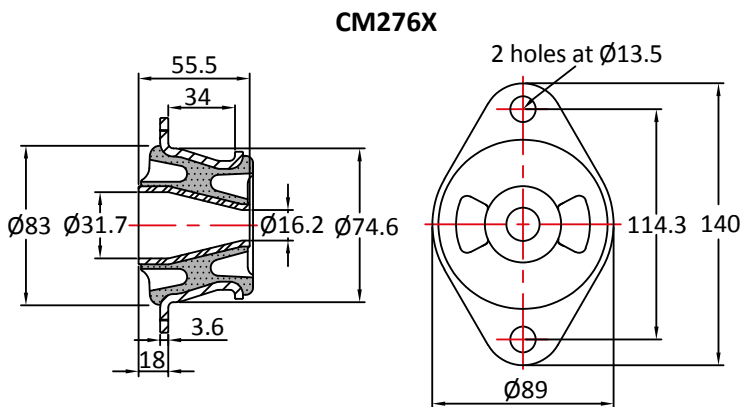
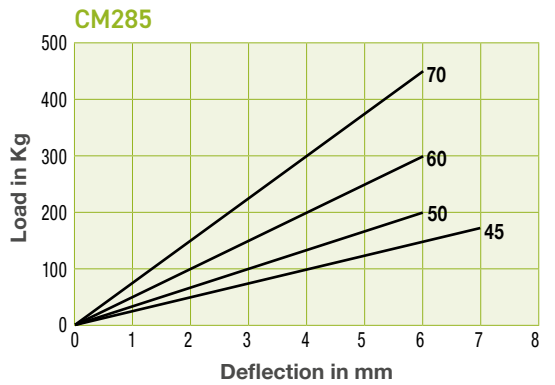
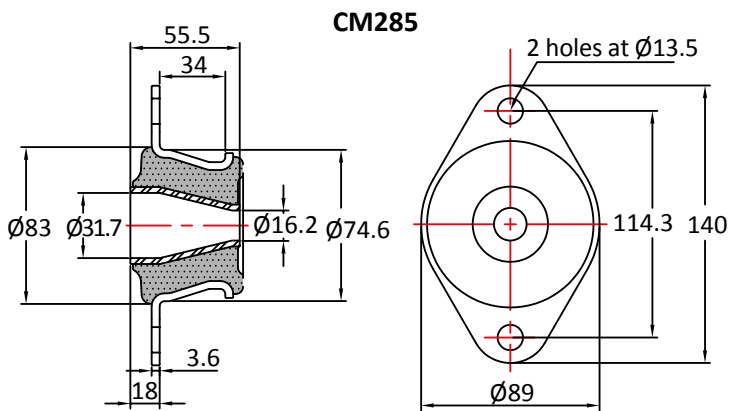
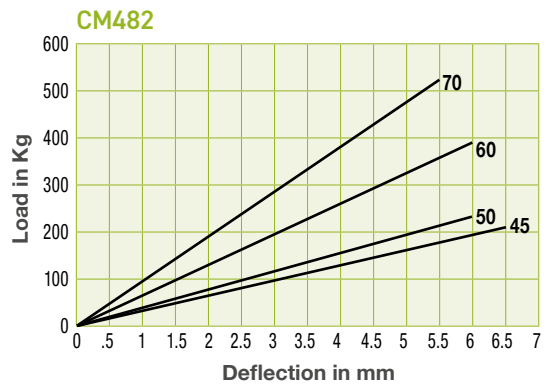
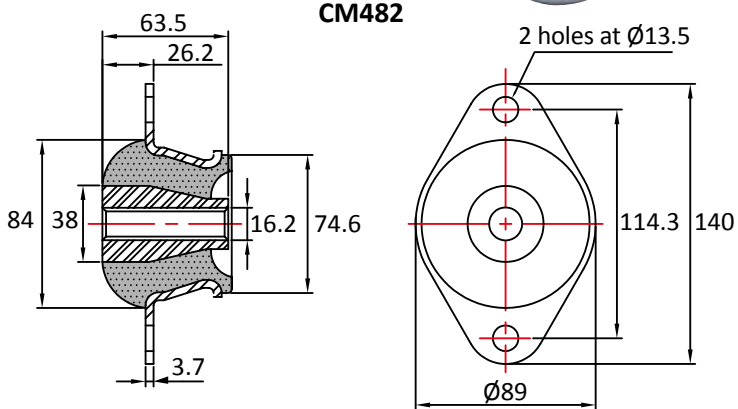
CM30/2



Max compression load in Kg deflection in mm.

This information is for guidance only. Customers are recommended to contact us for further technical information on products and applications.

We reserve the right to alter specifications or withdraw products without notice.



Max compression load in Kg deflection in mm.

This information is for guidance only. Customers are recommended to contact us for further technical information on products and applications.

We reserve the right to alter specifications or withdraw products without notice.