

# Conical Buffers

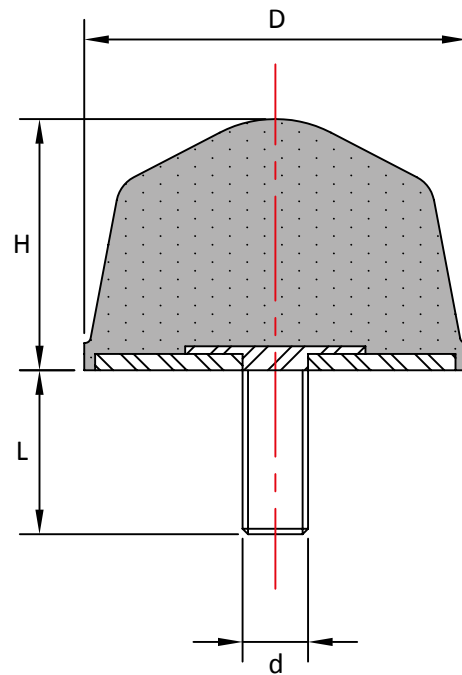
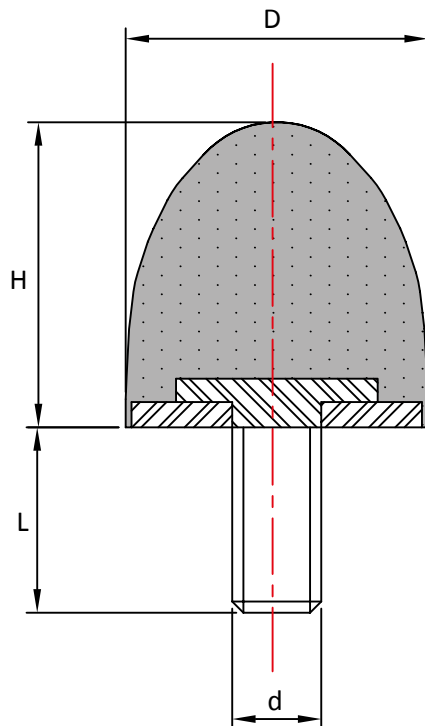
Conical Buffers are ideal for absorbing shock. They provide high levels of deformation under impact force, and a progressive stiffness rate to accommodate varying shock forces, thus giving excellent levels of absorption and protection of machinery and fabrications.

Stainless Steel Metals, Synthetic rubber compounds and Female Fixings available on request.



## Applications include:

- Primary and Secondary suspension for vehicles, bump stops for general Industrial Machinery, Assister springs, Construction and Agricultural Machinery.



MCB3460

Part No	D x H	d x L	45° Shore A	60° Shore A	70° Shore A	mm
1010MCB12	10 x 10	M5 x 12	2.3	4.6	6.7	2.25
2015MCB10	20 x 15	M6 x 10	9.8	19.7	28.9	3.75
2024MCB18	20 x 24	M6 x 18	6.9	13.8	20.3	6.25
2425MCB18	24 x 25	M6 x 18	35	51	71	6.25
2514MCB20	25 x 14	M8 x 20	35	50	70	3.5
2516MCB18	25 x 16	M6 x 18	32	64	94.08	4.0
3030MCB14	30 x 30	M6 x 14	37.0	54.0	74.0	7.5
3540MCB23	35 x 40	M8 x 23	15.3	30.6	45.0	10.0
4535MCB23	45 x 35	M8 x 23	96.0	140.0	193.0	7.5
5050MCB25	50 x 50	M10 x 25	117.0	170.0	233.0	12.5
5058MCB20	50 x 58	M8 x 20	147.0	214.0	293.0	15.0
5061MCB28	50 x 61	M8 x 28	135	200	260	14.5
5064MCB35	50 x 64	M8 x 35	127.0	185.0	253.0	16.0

Part No	D x H	d x L	45° Shore A	60° Shore A	70° Shore A	mm
5067MCB33	50 x 67	M8 x 33	120	170	240	16.0
5068MCB38	50 x 68	M10 x 38	120	170	240	16.2
6040MCB62	60 x 40	M14 x 62	209.0	305.0	418.0	10.0
6060MCB37	60 x 60	M12 x 37	195.0	286.0	395.0	15.0
7058MCB32	70 x 58	M12 x 32	164.4	328.8	483.3	13.7
7060MCB35	70 x 60	M12 x 35	210.0	360.0	419.0	14.5
7589MCB37	75 x 89	M12 x 37	95.2	190.4	279.8	21.2
9580MCB45	95 x 80	M16 x 45	407.0	594.0	814.0	20.0
10095MCB31	105 x 95	M12 x 31	225.0	450.0	680.0	24.0
100100MCB31	100 x 100	M12 x 31	220.0	440.0	660.0	23.0
100120MCB31	105 x 121	M12 x 31	210.0	420.0	630.0	30.0
11877MCB41	118 x 77	M16 x 41	-	-	-	18.2
MCB3460*	70 x 46	M12 x 30	178.0	260.0	356.0	11.5

\* See illustration for profile of MCB3460

Max compression load in Kg deflection in mm.

This information is for guidance only. Customers are recommended to contact us for further technical information on products and applications. We reserve the right to alter specifications or withdraw products without notice.