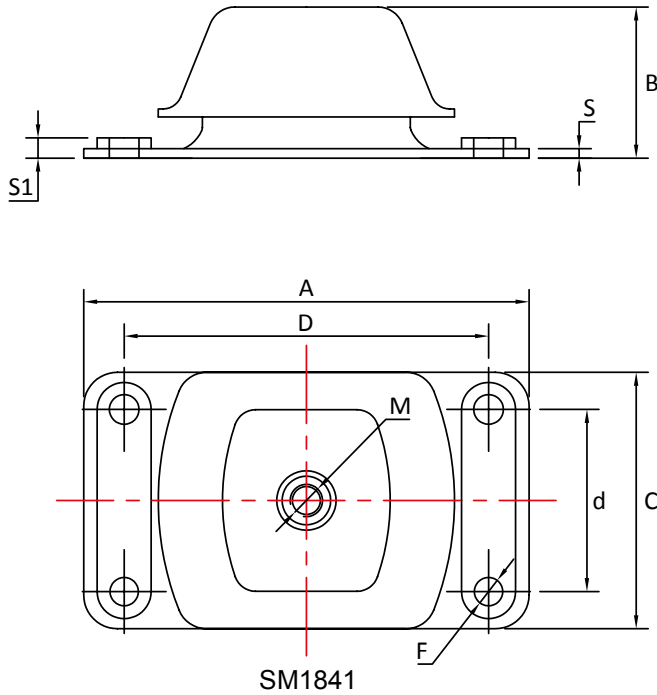


# Silent Marine™ Jumbo



### Advantages:

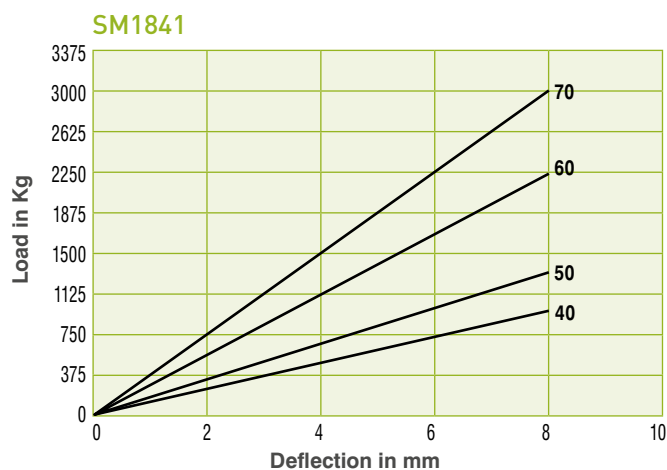
- Ideal for Mobile Applications
- Accommodates Marine Engine Thrust
- Excellent Vibration Absorption
- Easy to Install

### Applications:

- Marine Propulsion Engines
- Generating Sets
- Vehicle Diesel Engines
- Pumps
- Compressors

FLANGED MOUNTINGS

Part No	A	B	C	D	d	F	M	S	S1
SM1841	330	111	190	270	135	22	M24	7	14



Maximum Loads should be derated for marine propulsion engines.  
Height adjusters available see page 36

Max compression load in Kg deflection in mm.

This information is for guidance only. Customers are recommended to contact us for further technical information on products and applications. We reserve the right to alter specifications or withdraw products without notice.