

Flanged Circular Mountings



Flanged Circular Mountings are a simple, low cost, compression mounting and provide good levels of vibration reduction.

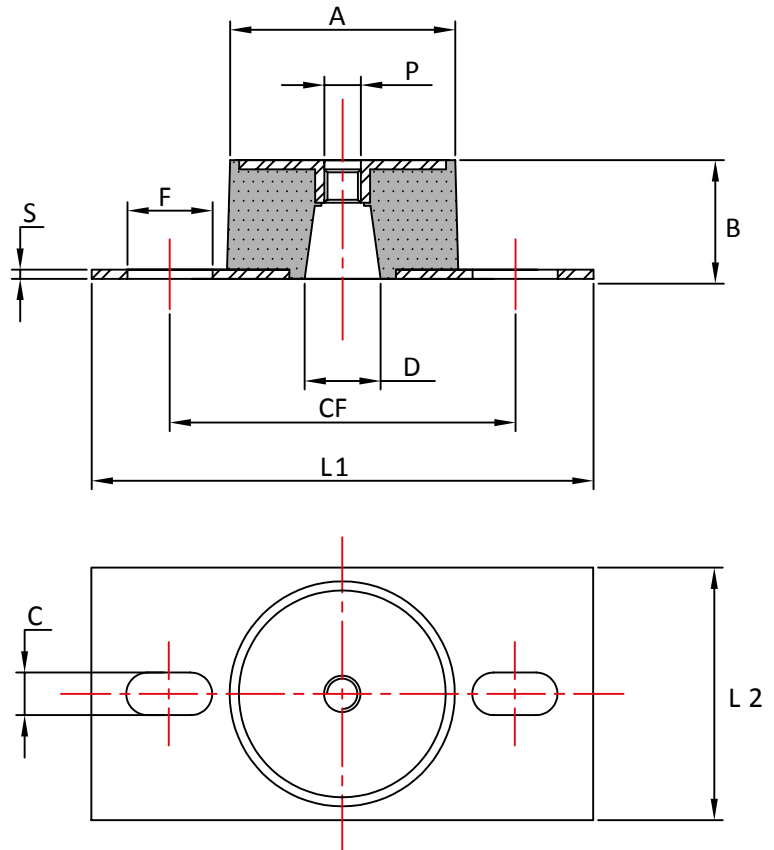
Oil and Fuel Resistant rubber compounds and Stainless Steel metals available on request.

Advantages:

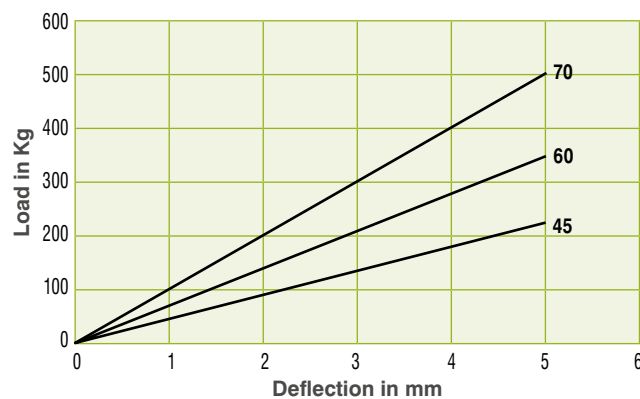
- High Load Capacity
- Low Cost
- Easy to Install

Applications:

- Generating Sets
- Pumps
- Compressors
- Processing Equipment



Part No	A	B	C	D	F	CF	L1	L2	P	S
FCM763812	76	39	14	25	28	99-128	165	83	M12	3



Max compression load in Kg deflection in mm.

This information is for guidance only. Customers are recommended to contact us for further technical information on products and applications. We reserve the right to alter specifications or withdraw products without notice.