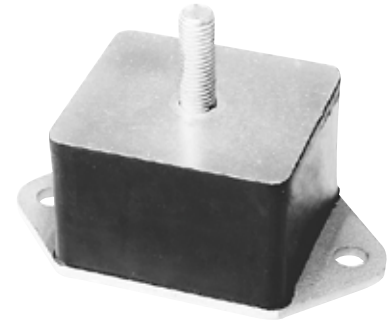


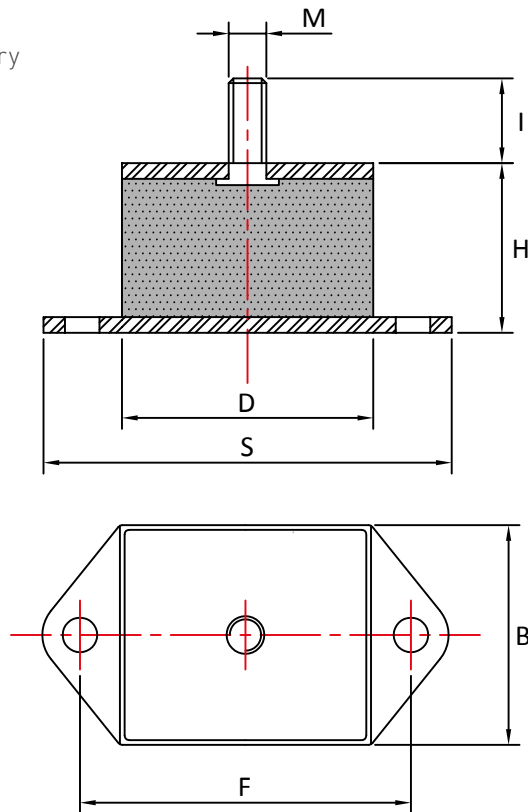
# SL Mountings

A simple but effective anti-vibration mounting for static machinery. The SL mountings are easy to install and provide effective reduction in structure borne vibration.



## Applications:

- Diesel engines
- Pumps
- Compressors
- Motors
- General industrial machinery



Part No	F	D	B	H	M	I	S
SL60	105	80	70	55	M12	35	130

Max compression load in Kg deflection in mm.

This information is for guidance only. Customers are recommended to contact us for further technical information on products and applications. We reserve the right to alter specifications or withdraw products without notice.