

Flanged Mountings

Flanged Mountings give high levels of deflection, providing excellent levels of vibration reduction and shock absorption both in the vertical and horizontal planes. They are particularly suited to isolating slow speed equipment.

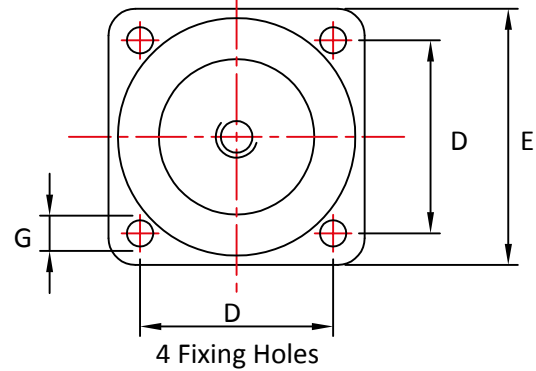
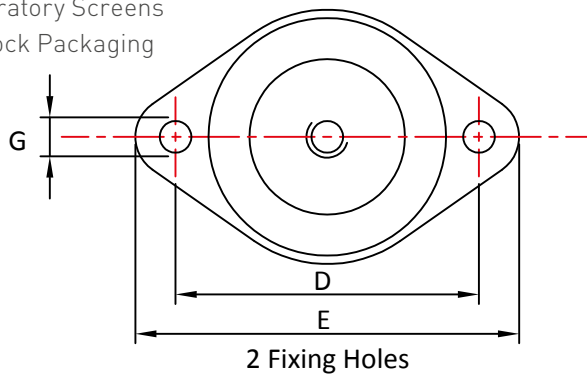
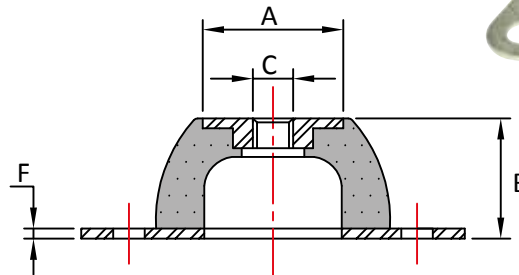
Stainless Steel metals and Oil / Heat resistant rubbers available on request.

Advantages:

- Ideal for Slow Speed Equipment
- Easy to Install
- Low Cost
- Vibration Isolation up to 95%

Applications:

- Pumps
- Fans
- Compressors
- Vibratory Screens
- Shock Packaging



Part No	Fixing Holes	A (mm)	B (mm)	C	D (mm)	E (mm)	F (mm)	G (mm)
FM1566	2	26.5	11.6	M6	50	60	1.74	6
FM209	2	31	21.5	M8/M10	60	77	3	9.2
FM007	2	18	20	M6	50	64	2	7
FM25	2	33	25	M8/M10	66 – 73	85	2	8 x 12
FM50	2	45	35	M10	92	114	2	10
FM100	2	53	40	M10	110	136	2	11.5
FM200	2	58	45	M10	124	151	3	11.5
FM400	4	70	63	M12	120	150	3	14.5
FM600	4	100	85	M16	160	200	4	14.5
FM1500	4	186	160	M24	250	310	6	18

Part No	40 Shore		60 Shore		75 Shore	
	kg	mm	kg	mm	kg	mm
FM1566	10.0	1.4	20.0	1.35	23.0	1.1
FM209	40.0	3.0	76.0	2.8	112.0	2.5
FM007	3.5	3.0	9.0	3.0	13.0	2.7
FM25	20.0	4.5	40.0	4.5	57.0	4.0
FM50	38.0	5.0	69.0	4.8	101.0	4.5
FM100	60.0	7.0	100.0	6.5	147.0	6.0
FM200	130.0	10.0	220.0	9.0	320.0	8.5
FM400	270.0	14.5	540.0	13.0	793.0	9.5
FM600	375.0	17.0	750.0	15.5	1103.0	12.0
FM1500	1150.0	46.0	2300.0	41.5	3381.0	37.0

Max compression load in Kg deflection in mm.

This information is for guidance only. Customers are recommended to contact us for further technical information on products and applications. We reserve the right to alter specifications or withdraw products without notice.