

# Cast Foot Mountings



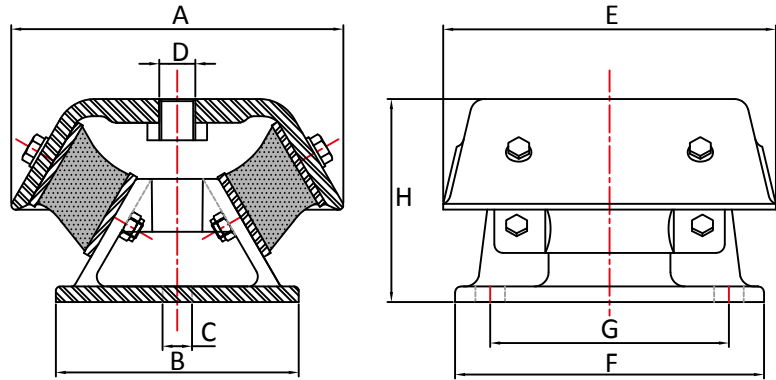
Cast Foot Mountings are the ideal choice for large reciprocating machinery and heavy duty industrial equipment. Using the rubber in Shear/Compression they can accommodate high loads and provide excellent vibration reduction properties of up to 98%. The strong construction of the mounting ensures a safe, reliable product with extended service life and very high performance. These mountings can also be supplied with fail-safe stops for mobile applications.

## Advantages:

- Robust Design
- Load Range from 30kg to 1800kg per Mounting
- Superior Vibration Reduction
- Easy to Install

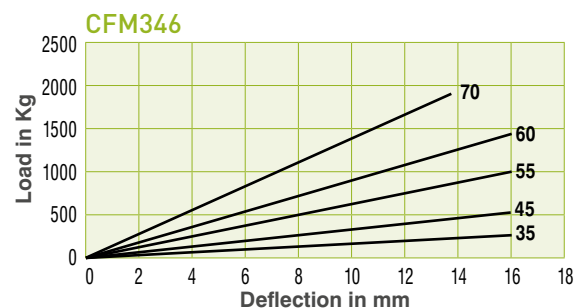
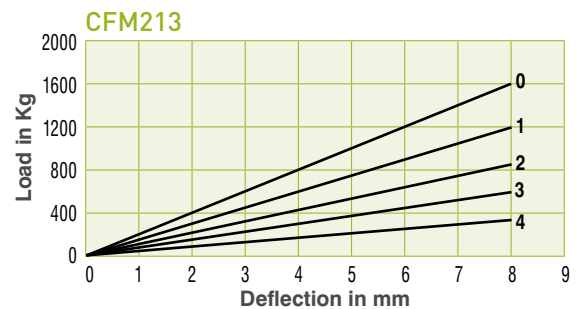
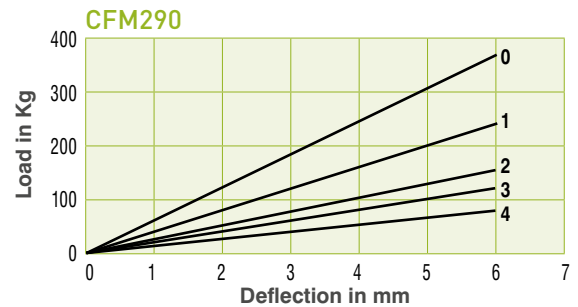
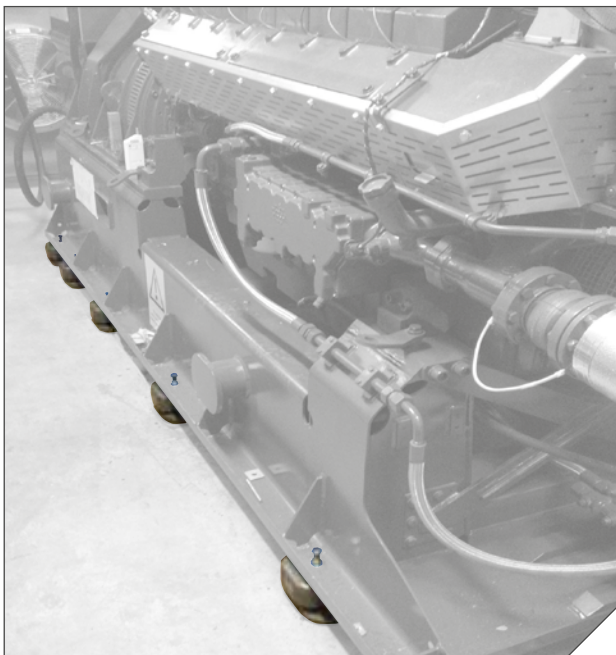
## Applications:

- Diesel Engines
- Generator Sets
- Compressors
- Fans
- Pumps
- Industrial Machinery



Part No	A	B	C	D	E	F	G	H
CFM290	132	82	13	M16	122	114	90	71.5
CFM213	204	146	18	M16	230	205	165	110
CFM346	204	146	18	M16	230	205	165	120

For free standing installations rubber base pads can be supplied.



Max compression load in Kg deflection in mm.

This information is for guidance only. Customers are recommended to contact us for further technical information on products and applications. We reserve the right to alter specifications or withdraw products without notice.