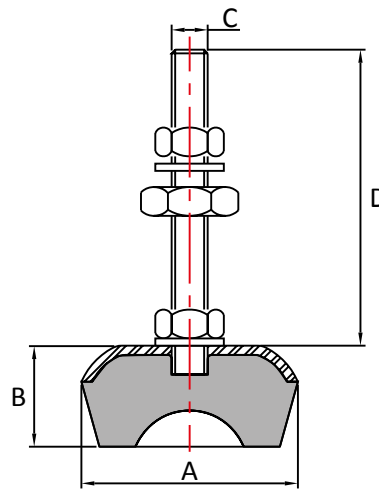


Levelling Feet

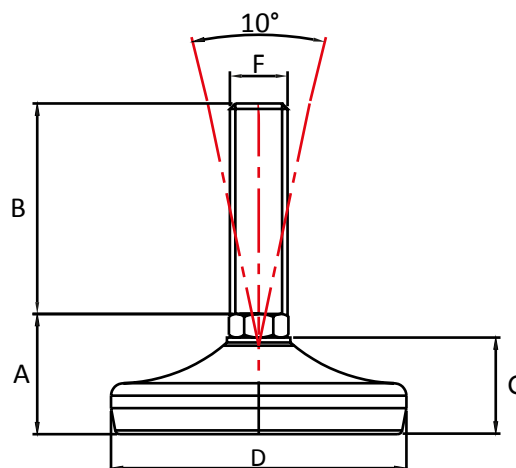
Levelling Feet are simple, low cost products suitable for most types of machinery. They allow machinery to be levelled and also provide a degree of vibration and noise reduction. Additional sizes, Stainless Steel Metals, and Oil Resistant/High Temperature rubbers available on request.

Applications:

- Machine tools
- Lathes; Presses
- Heavy industrial equipment
- Conveyors
- Food processing



Part No	A	B	C	D	Min Load (kg)	Max Load (kg)
HARFSV000	45	23	M8	48	20	80
HARFSV00	60	28	M10	81	60	120
HARFSV0	70	34	M12	89	90	160
HARFSV1	85	32	M12	89	130	350
HARFSV2	100	40	M14	109	270	600
HARFSV3	120	50	M16	116	450	900
HARFSV4	140	50	M16	116	700	1200
HARFSV5	160	60	M16	116	1100	1750
HARFSV6	180	70	M24	138	1500	2500
HARFSV7	205	75	M24	138	2100	3750



Part No	G	B*	F*	D	A	Max Static Load (kg)
AVLF50	19	min 50-150 max	min M10-M16 max	50	29	400
AVLF80	25	min 50-200 max	min M10-M24 max	80	35	1000
AVLF100	30	min 75-250 max	min M16-M30 max	100	38.5	1500
AVLF120	32	min 75-250 max	min M16-M30 max	120	42.5	3000

* Available with various thread sizes and lengths

Max compression load in Kg deflection in mm.

This information is for guidance only. Customers are recommended to contact us for further technical information on products and applications. We reserve the right to alter specifications or withdraw products without notice.