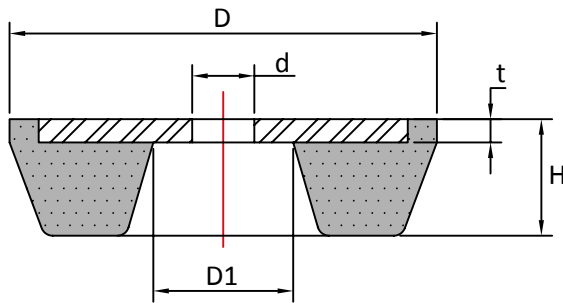


Anti-Vibration Rubber Feet

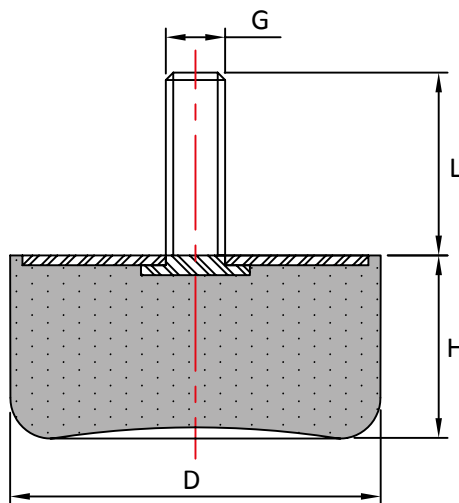
Simple, economical and easy to install. Noise and Vibration Reduction Feet consist of a specially designed angled rubber section bonded to a steel plate. The Profile of the rubber base provides good levels of vibration reduction and increases the friction with the floor to stop equipment from "walking" during excessive vibration.

Applications:

- Scales and Weighing Equipment
- Portable Appliances
- Industrial and Domestic Equipment



Part No	D	D1	d	H	t	Max Load (kg)
NVF75	55	18	8	15	3	150
NVF250	75	25	10	17	4	400
NVF750	115	40	14	24	4	1100



Part No	D	H	G	L
1514MRF13	15	14	M4	13
2024MFR18	20	23.5	M6	18
2519MRF18	25	18.5	M6	18
3029MRF20	30	28.5	M8	20
4028MRF10	40	28	M8	10
5028MRF33	50	28	M10	33
7043MRF28	70	43	M10	28
7537MRF37	75	37	M12	37

Max compression load in Kg deflection in mm.

This information is for guidance only. Customers are recommended to contact us for further technical information on products and applications. We reserve the right to alter specifications or withdraw products without notice.