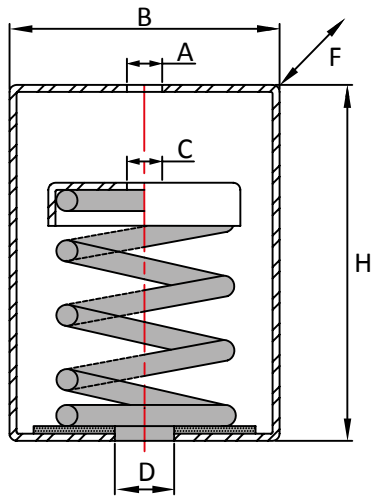
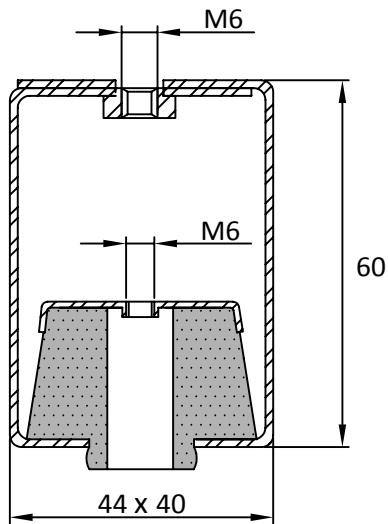


Hangers



Part No	B	F	H	A	D	C	Defl. mm	Max Kg
TM 25	75	55	100	12	30	11	24	25
TM 50	75	55	100	12	30	11	24	50
TM 75	75	55	100	12	30	11	24	75
TM 100	75	55	100	12	30	11	24	100
TM 150	120	75	155	16	16	14	35	150
TM 250	120	75	155	16	16	14	35	250
TM 350	120	75	155	16	16	14	35	350



Part No	Min kg	Max Kg
TVAR 40	8	25
TVAR 60	18	50
TVAR 75	25	75

Max compression load in Kg deflection in mm.

This information is for guidance only. Customers are recommended to contact us for further technical information on products and applications. We reserve the right to alter specifications or withdraw products without notice.