

# Wire Rope Shock Mountings



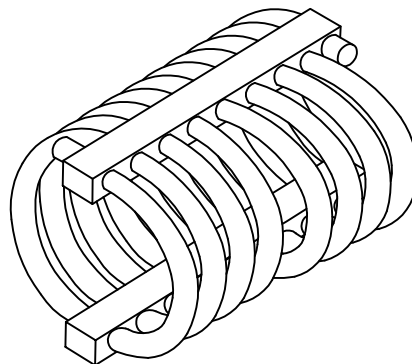
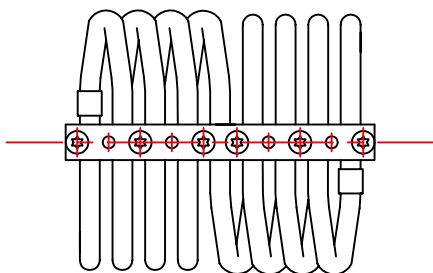
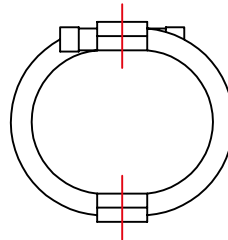
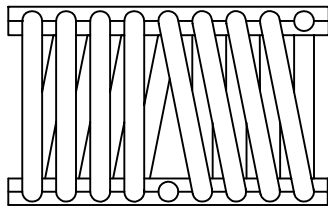
Wire Rope Shock mountings are an "All Metal" design, providing multidirectional absorption of High Level Shock and Vibration. The all-metallic design allows these mountings to be used in extremely harsh conditions, including corrosive and high temperature environments.

The mountings can be manufactured in various designs and configurations, where the wire rope can be produced in Galvanised Steel or Stainless Steel, with load ranges from 0.1Kg to 5000Kg. Non-Magnetic Versions available on request.

## Applications:

- Naval Vessels
- Military & Defence
- Aerospace
- Transit Packaging

Please contact the **AV Technical Team** to discuss your requirements.



Max compression load in Kg deflection in mm.

This information is for guidance only. Customers are recommended to contact us for further technical information on products and applications. We reserve the right to alter specifications or withdraw products without notice.