

# Low Frequency Mountings

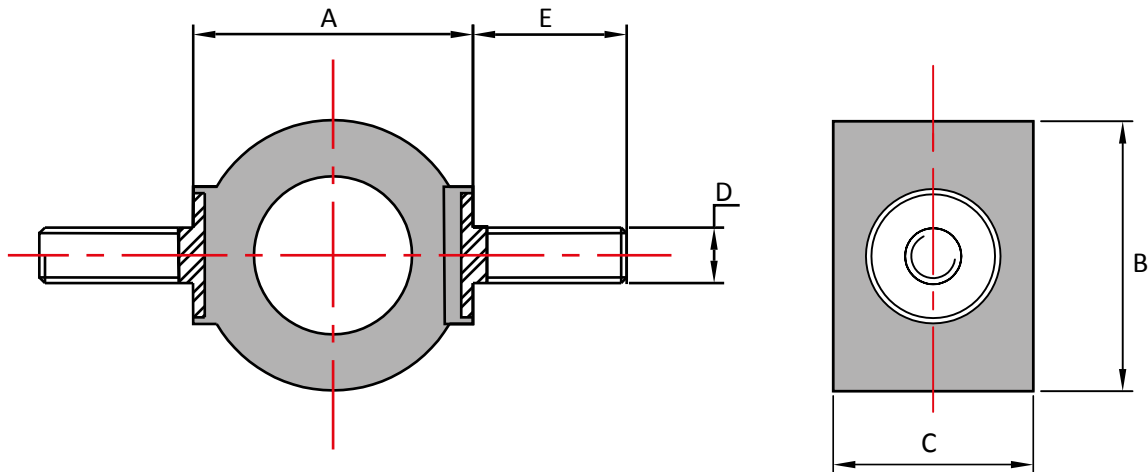


High performance mountings for lightweight equipment. They are designed to give high levels of deflection under light loads, providing a low natural frequency and high levels of vibration isolation – both Active & Passive. They can be used in either compression, shear or a combination.

High Temperature & Oil Resistant Rubbers available on request.

## Applications:

- Precision Equipment
- Sensitive Instruments
- Lightweight Machines
- Medical Equipment
- Sensors & Gauges



Part No	A	B	C	D	E
LF0912	12.5	9.5	9.4	M4	10
LF1394	17	14	14	M4	10
LF1395	30	25	19	M5	10
LF1396	38.5	35	25	M6 (*M10)	16

\* Alternative Stud Size

Max compression load in Kg deflection in mm.

This information is for guidance only. Customers are recommended to contact us for further technical information on products and applications. We reserve the right to alter specifications or withdraw products without notice.