

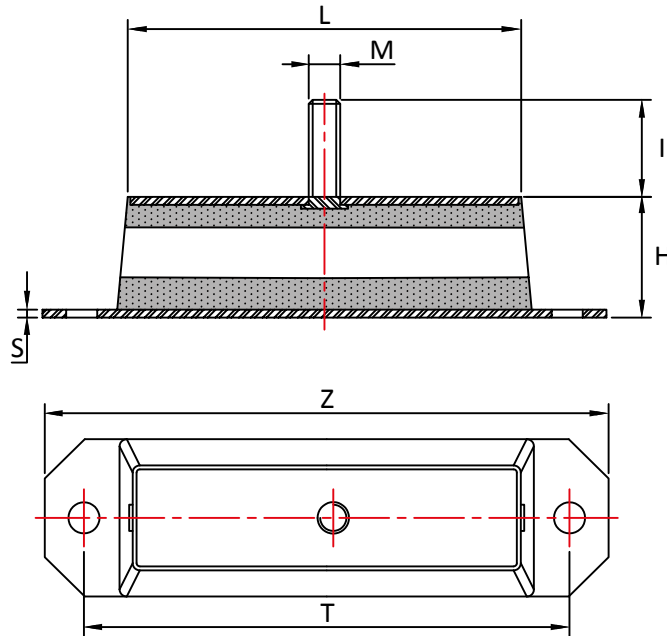
SF Mountings

A general purpose and versatile anti-vibration mounting which can be used in a variety of different applications. The circular relief within the rubber section enables the SF mountings to provide good levels of vibration attenuation and shock absorption.



Applications:

- Diesel engines
- Pumps
- Compressors
- Motors
- General industrial machinery



Part No	Z	L	T	H	M	I	S	Max Load Kg
SF50	115	50	85	45.7	M12	37	3	150
SF100	165	100	135	45.7	M12	37	3	320
SF150	215	150	185	45.7	M12	37	3	460
SF200	265	200	235	45.7	M12	37	3	620

Max compression load in Kg deflection in mm.

This information is for guidance only. Customers are recommended to contact us for further technical information on products and applications. We reserve the right to alter specifications or withdraw products without notice.