

# Cup Shock Mountings



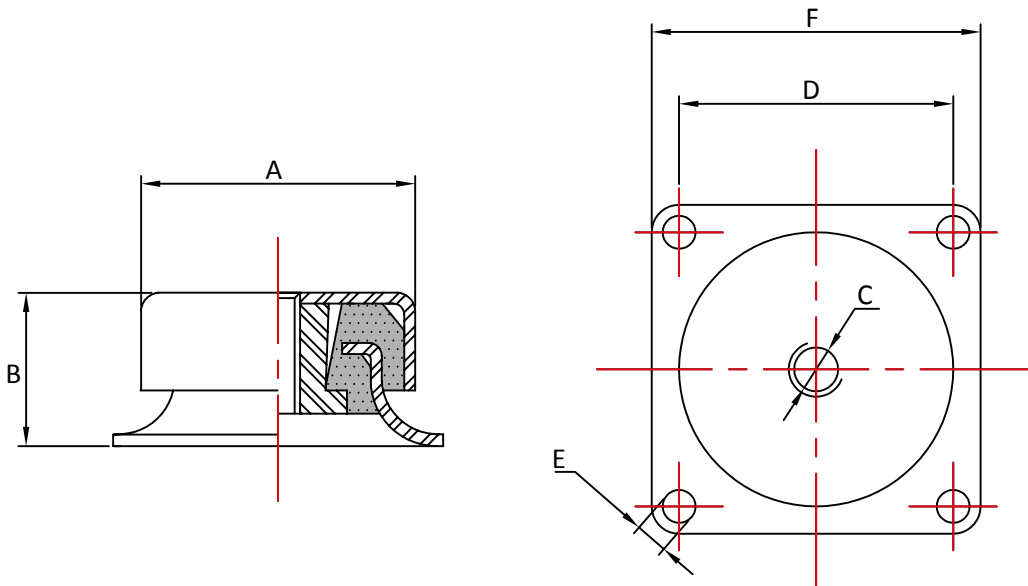
Cup Shock mountings are a relatively stiff product, ideal for applications where high frequency vibrations are predominant. The product is failsafe and ideal for both mobile and static applications. The outer metal cap offers protection from contaminants such as Oil and Fuel. The design of the mounting also allows the product to be used in tension, although maximum loads should be derated.

## Advantages:

- Failsafe Design
- Ideal for High Frequency Vibration
- Excellent Shock Absorption
- Can be used in Compression or Tension

## Applications:

- Military Equipment
- Electronics
- HVAC
- Motors & Compressors



Part No	A	B	C	D	E	F
CSM1000	50	28	M8	50	6	60
CSM2000	76	38	M10	63.5	6.7	76

Part No	45 Shore A		60 Shore A		75 Shore A	
	KG	mm	KG	mm	KG	mm
CSM1000	80	2	100	1.5	150	1.5
CSM2000	180	2.5	240	2.5	300	2.0

Max compression load in Kg deflection in mm.

This information is for guidance only. Customers are recommended to contact us for further technical information on products and applications. We reserve the right to alter specifications or withdraw products without notice.