

# Grommet Mountings

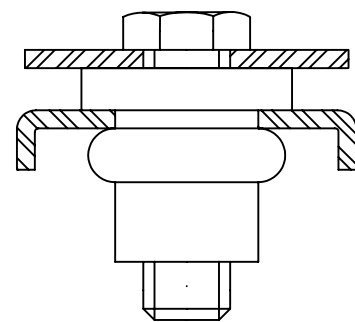
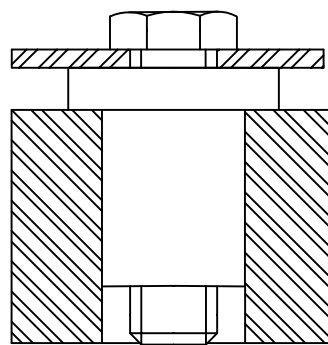
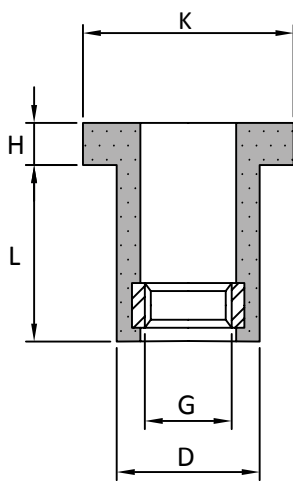
Grommet mountings are normally used as a simple fastening method or to isolate high frequency vibrations. They can be installed in several configurations, such as through brackets or into blind holes, as can be shown in the below Installation diagram.



## Applications:

- Vehicle & Machinery Body Panels
- Motorcycle Fairing
- Lightweight Equipment
- Electronics & CPU's
- Sensors & Gauges

## Installation Options



Part No	D	K	L	H	G
GM09	7.2	9	9	2.5	M3
GM12	9.3	12	11.5	3	M4
GM15	10.2	15	14.5	3.5	M5
GM18	12.7	18	17	4	M6
GM24	16.5	24	22	5	M8

Max compression load in Kg deflection in mm.

This information is for guidance only. Customers are recommended to contact us for further technical information on products and applications. We reserve the right to alter specifications or withdraw products without notice.