

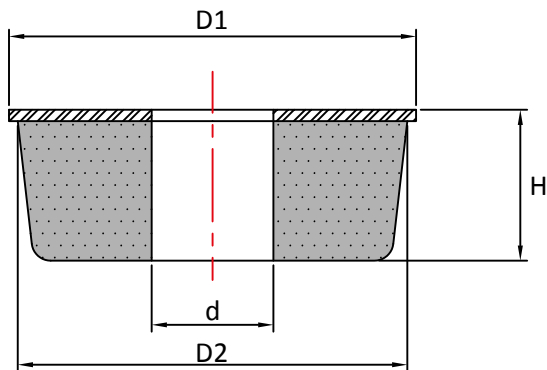
Ring Elements



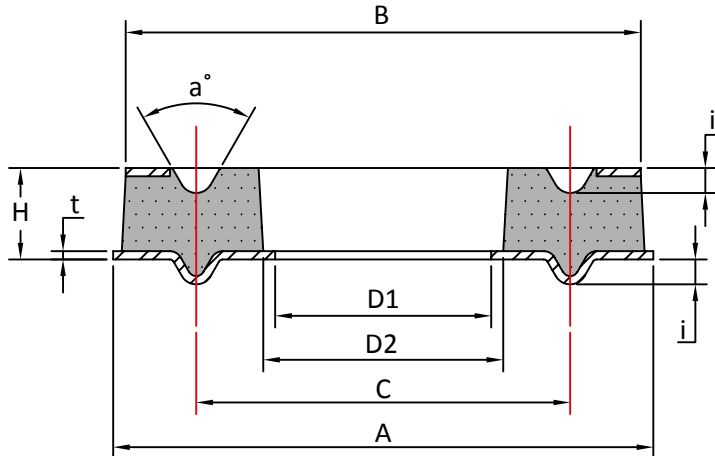
Ring Elements offer a versatile and cost effective mounting solution to absorb shock and reduce vibration. They are available in a variety of sizes, rubber compounds, mild and stainless steel metals.

Applications:

- Bump stops for General Industrial Machinery
- Pump & Compressor Feet
- Commercial & Off-Road Vehicles



Part No	D1	D2	d	H	Max Load (kg)
4223TRB18	42	40	18	23	163.0
6233TRB21	62	60	21	33	493.0
7233TRB21	72	70	21	33	610.0
8240TRB25	82	80	25	40	1319.0
10254TRB32	102	100	32	54	1619.0
12246TRB38	122	120	38	46	1935.0



Part No	A	D1	B	D2	C	H	t	i	a°
RE6511	65	26	62	29	46	11	1	2.5	60
RE10027	100	35	90	40	65	27.5	1.5	3.5	60
RE11020	110	30	102	38	76	20.8	1.75	3.5	60
RE11025	110	30	102	38	76	25.8	1.75	3.5	60
RE11015	110	40	102	44	76	15.8	1.75	3.5	60
RE15316	153	55	145	60	102	16	2	5	60
RE15330	153	55	145	60	102	30	2	5	60

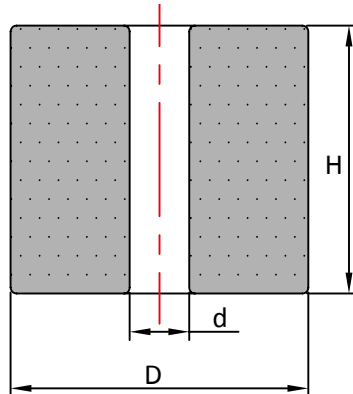
Max compression load in Kg deflection in mm.

This information is for guidance only. Customers are recommended to contact us for further technical information on products and applications. We reserve the right to alter specifications or withdraw products without notice.

INSTRUMENT MOUNTINGS

Ring Elements

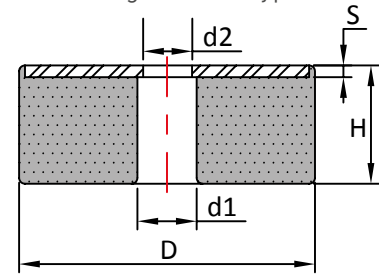
Ring Element Type 1



Part No	D	d	H
RE1/8.5/3.2-3.5	8.5	3.2	3.5
RE1/13/6.5-12	13	6.5	12
RE1/17.5/9-16	17.5	9	16
RE1/19/13-19	19	13	19
RE1/20/8.5/15	20	8.5	15
RE1/25/8.5-25	25	8.5	25
RE1/25/10.5-25	25	10.5	25
RE1/25/10.5-15	25	10.5	15
RE1/28/10.5-50	28	10.5	50
RE1/28/8-16	28	8	16
RE1/30/16-40	30	16	40
RE1/32/13.5-32	32	13.5	32
RE1/40/9-30	40	9	30
RE1/40/12-25	40	12	25
RE1/40/12-35	40	12	35
RE1/40/12-65	40	12	65
RE1/40/13-30	40	13	30
RE1/40/13.5-32	40	13.5	32
RE1/40/13.5-40	40	13.5	40
RE1/40/13.5-50	40	13.5	50
RE1/40/17-30	40	17	30
RE1/47/20-50	47	20	50
RE1/48/17-100	48	17	100
RE1/50/17-25	50	17	25
RE1/50/17-40	50	17	40
RE1/50/10-45	50	10	45
RE1/50/14-80	50	14	80
RE1/50/17-32	50	17	32
RE1/50/17-50	50	17	50
RE1/50/17-63	50	17	63
RE1/50/17-80	50	17	80
RE1/58/17-100	58	17	100
RE1/50/20-38	50	20	38
RE1/50/24-50	50	24	50

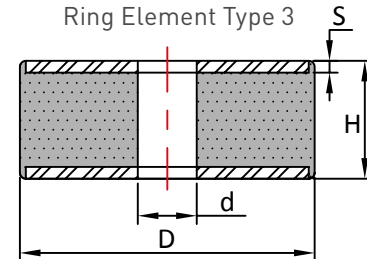
Part No	D	d	H
RE1/50/24.8-50	50	24.8	50
RE1/53/32.5-100	53	32.5	100
RE1/60/20-40	60	20	40
RE1/70/40-40	70	40	40
RE1/75/18-40	75	18	40
RE1/80/15-50	80	15	50
RE1/80/20-27	80	20	27
RE1/80/20-40	80	20	40
RE1/80/21-30	80	21	30
RE1/80/25-40	80	25	40
RE1/80/25-82	80	25	82
RE1/80/30-35	80	30	35
RE1/80/40-30	80	40	30
RE1/80/21-100	80	21	100
RE1/90/30-45	90	30	45
RE1/100/21-40	100	21	40
RE1/100/25-40	100	25	40
RE1/100/25-70	100	25	70
RE1/100/26-40	100	26	40
RE1/100/30-35	100	30	35
RE1/100/33-40	100	33	40
RE1/100/33-75	100	33	75
RE1/100/40-70	100	40	70
RE1/100/70-40	100	70	40
RE1/120/25-40	120	25	40
RE1/120/40-40	120	40	40
RE1/120/50-40	120	50	40
RE1/125/35-125	125	35	125
RE1/125/50-125	125	50	125
RE1/150/51-100	150	51	100
RE1/150/45-180	150	45	180
RE1/160/33-160	160	33	160
RE1/200/61-100	200	61	100
RE1/200/33-200	200	33	200
RE1/250/60-200	250	60	200

Ring Element Type 2



Part No	D	H	d1	d2	S
3016PRB09	30	16	16	9	3
4016PRB09	40	16	16	9	3
4020PRB09	40	20	17	9	3
5016PRB11	50	16	20	11	3
5020PRB11	50	20	22	11	3
6020PRB11	60	20	25	11	4
7525PRB13	75	25	30	13	6
8020PRB13	80	20	32	13	4
10025PRB13	100	25	40	13	6
10030PRB33	100	30	60	33	6
12525PRB17	125	25	50	17	6

Ring Element Type 3



Part No	D	d	H	S
RE3/15/6-25	15	6	25	2
RE3/20/6-25	20	6	25	2
RE3/40/13-20	40	13	20	3
RE3/40/13-30	40	13	30	3
RE3/40/13-40	40	13	40	3
RE3/50/17-20	50	17	20	3
RE3/50/17-40	50	17	40	3
RE3/50/17-50	50	17	50	3
RE3/50/21-15	50	21	15	3
RE3/50/21-30	50	21	30	3
RE3/60/21-50	60	21	50	4
RE3/75/25-55	75	25	55	3
RE3/80/21-30	80	21	30	3
RE3/100/21-40	100	21	40	4
RE3/100/31-40	100	31	40	4
RE3/100/33-75	100	33	75	5
RE3/120/41-40	120	41	40	5
RE3/120/51-40	120	51	40	5
RE3/150/51-100	150	51	100	6
RE3/200/32-100	200	32	100	8
RE3/200/61-100	200	61	100	8

Max compression load in Kg deflection in mm.

This information is for guidance only. Customers are recommended to contact us for further technical information on products and applications.

We reserve the right to alter specifications or withdraw products without notice.